

GW22580 DC AXIAL FAN Series

225x225x80mm

- AUTO (RESTAR)
- PWM
- FG
- RD SIGNAL H
- RD SIGNAL L

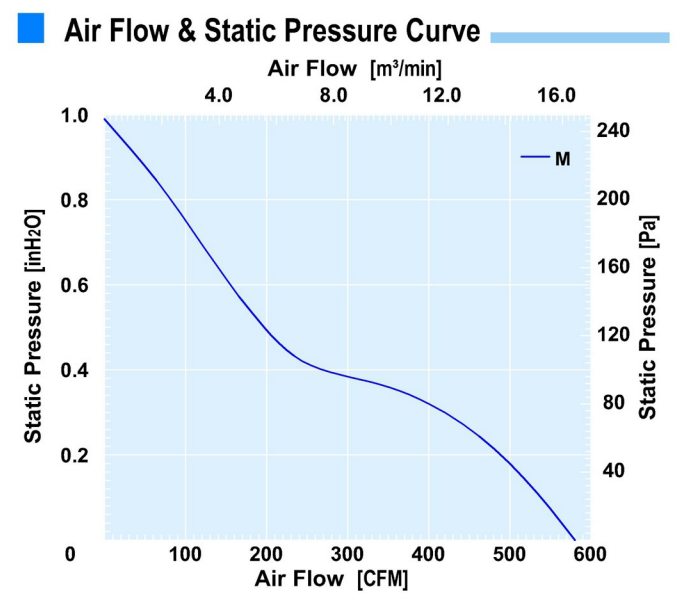
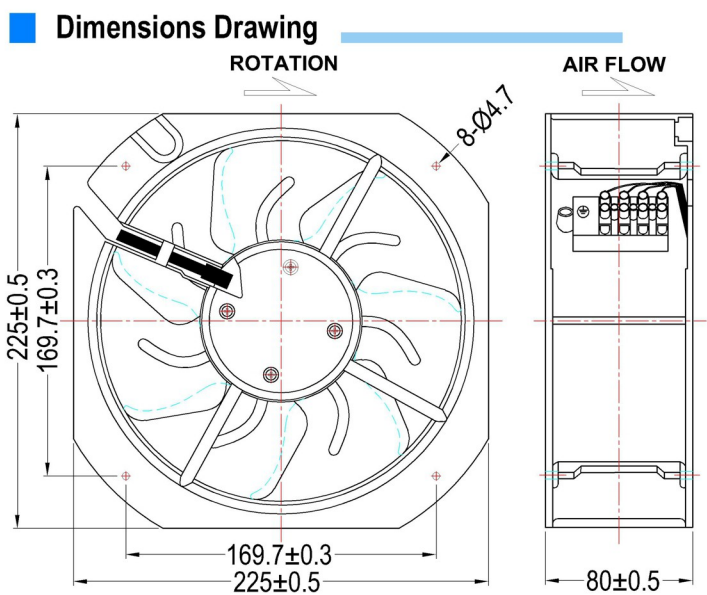
Impeller : 7 blades, made of SPCC
 扇 叶: 7叶, 冷轧钢板

Frame : Made of die-cast aluminum ADC-12
 扇 框: 压铸铝 ADC-12

Motor : 6 poles brushless DC motor
 電 機: 6极无刷直流電機



Model (型号)	Bearing System (轴承)	Rated Voltage (电压) [V]	Voltage Range (电压范围) [V]	Current (电流) [A]	Speed (转速) [RPM]	Maximum Air Flow (风量) [CFM]	Maximum Air Flow (风量) [m³/min]	Max. Static Pressure (静压) [inH ₂ O]	Max. Static Pressure (静压) [Pa]	Noise Level (噪音) [dB-A]	Mass (质量) [g]
GW2258024M	Ball	24	16.0~28.0	2.4	2800	581	16.45	0.99	247.5	62	2200
GW2258048M	Ball	48	36.0~56.0	1.2	2800	581	16.45	0.99	247.5	62	2200



Above specification is only for reference and subject to change without notice.
 以上数据仅供参考, 如有变更恕不另行通知。