

JH280 Series

AC Centrifugal Fan Ø280 x 114 mm



Impeller : 11 blades,made of sheet steel

風 輪: 11叶,鋼板

Motor : Enter rotor & capacitor-run induction motor

電 機: 外转子电容运转异步電機

Degree of protection : IP44

防护等级: IP44

Insulation class : F

绝缘等级:F

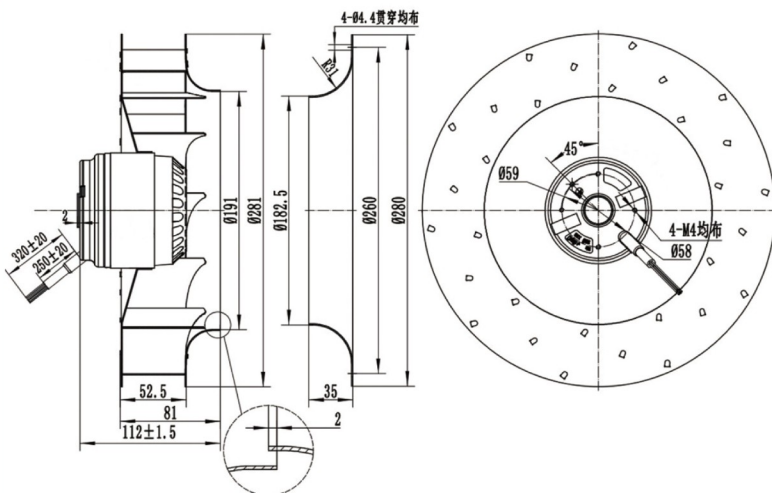
Operating temperature : -25~+80°C

工作温度: -25~+80°C

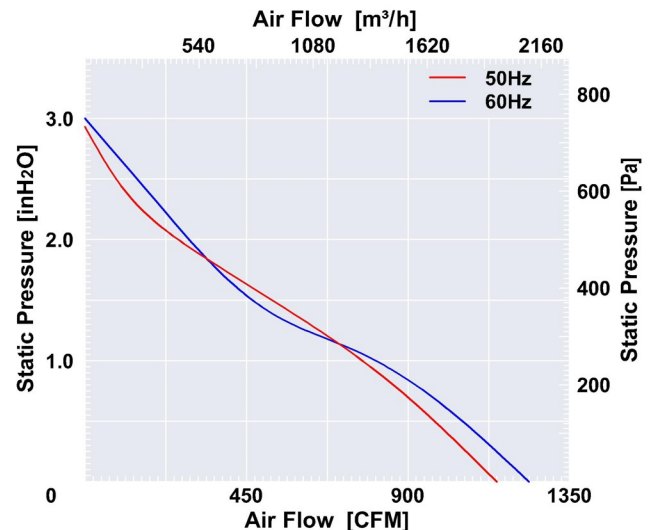


Model (型号)	Bearing System (轴承)	Rated Voltage (电压) [VAC]	Freq. (频率) [Hz]	Current (电流) [A]	Input power (功率) [W]	Speed (转速) [RPM]	Maximum Air Flow (风量) [CFM]	Maximum Air Flow (风量) [m³/h]	Max. Static Pressure (静压) [in-H ₂ O]	Max. Static Pressure (静压) [Pa]	Niose Level (噪音) [dB-A]	Mass (质量) [g]
JH280A2E01	Ball	1~115	60	2.80	320	2650	1237	2100	3.01	750	78	2800
JH280A2E02	Ball	1~230	50	1.20	260	2550	1148	1950	2.93	730	75	2800
JH280A2E03	Ball	3~380	50	0.38	230	2550	1148	1950	2.93	730	75	2800

Dimensions Drawing



Air Flow & Static Pressure Curve



Above specification is only for reference and subject to change without notice.

以上数据仅供参考，如有变更恕不另行通知。

普新惠达

AIR SPACE

交流离心風機

www.pudaelec.com