

# JH190 Series

## AC Centrifugal Fan Ø190 x 72 mm



Impeller :7 blades, made of GRP(PA66) UL94 V-0  
風輪: 7叶,玻璃增强热固性塑料(尼龍66),阻燃等级UL94V-0

Motor : Enter rotor & capacitor-run induction motor  
電機: 外转子电容运转异步電機

Degree of protection : IP44  
防护等级: IP44

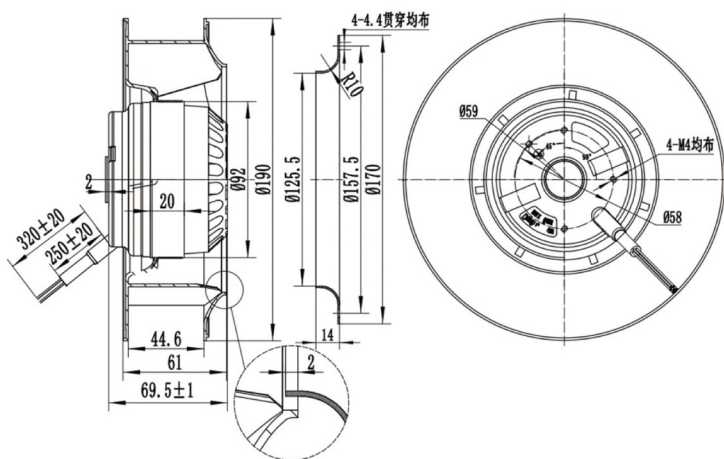
Insulation class : F  
绝缘等级:F

Operating temperature : -25~+70°C  
工作温度: -25~+70°C

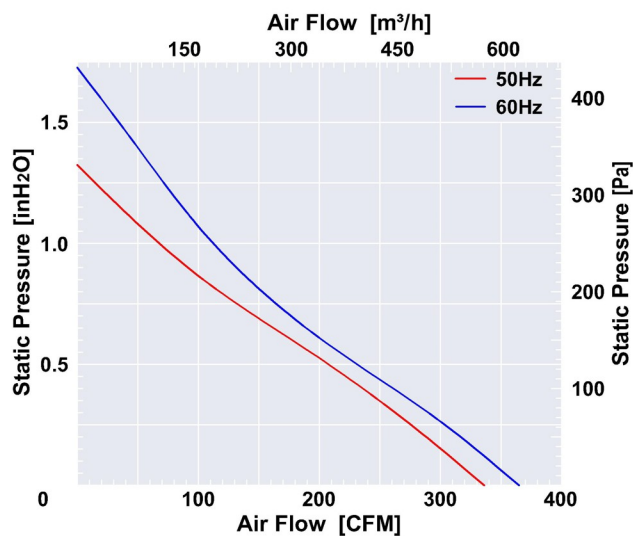


Model (型号)	Bearing System (轴承)	Rated Voltage (电压) [VAC]	Freq. (频率) [Hz]	Current (电流) [A]	Input power (功率) [W]	Speed (转速) [RPM]	Maximum Air Flow (风量) [CFM]	Maximum Air Flow (风量) [m³/h]	Max. Static Pressure (静压) [in-H <sub>2</sub> O]	Max. Static Pressure (静压) [Pa]	Niose Level (噪音) [dB-A]	Mass (质量) [g]
JH190B2E01	Ball	1~115	60	0.75	90	2950	365	620	1.727	430	64	1200
JH190B2E02	Ball	1~230	50	0.30	65	2600	336	570	1.325	330	62	1200
JH190B2E06	Ball	1~380	50	0.16	60	2600	336	570	1.325	330	62	1200
JH190B2E03	Ball	3~380	50	0.14	45	2600	336	570	1.325	330	62	1200

### Dimensions Drawing



### Air Flow & Static Pressure Curve



Above specification is only for reference and subject to change without notice.  
以上数据仅供参考, 如有变更恕不另行通知。

普新惠达