

JH133 Series

AC Centrifugal Fan Ø133 x 78



Impeller : 7 blades,made of GRP (PA 66) UL94 V-0

風輪: 7叶,玻璃增强热固性塑料(尼龍66),阻燃等级UL94V-0

Motor : Enter rotor & capacitor-run induction motor

電機: 外转子电容运转异步電機

Degree of protection : IP44

防护等级: IP44

Insulation class : F

绝缘等级:F

Operating temperature : -25~+70°C

工作温度: -25~+70°C

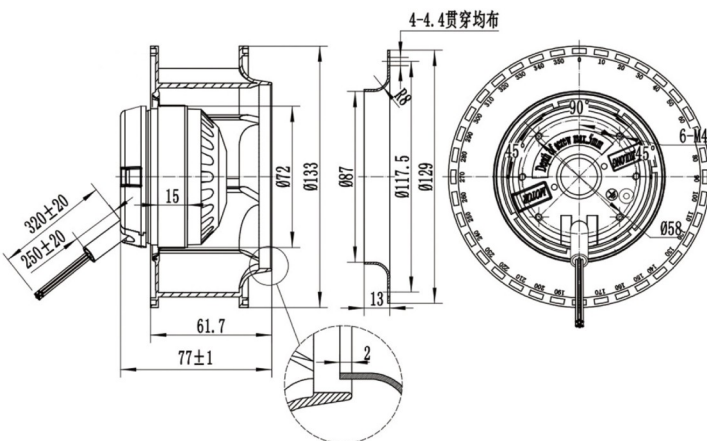


Model (型号)	Bearing System (轴承)	Rated Voltage (电压) [VAC]	Freq. (频率) [Hz]	Current (电流) [A]	Input power (功率) [W]	Speed (转速) [RPM]	Maximum Air Flow (风量) [CFM]	Maximum Air Flow (风量) [m³/h]	Max. Static Pressure (静压) [in-H2O]	Max. Static Pressure (静压) [Pa]	Niose Level (噪音) [dB-A]	Mass (质量) [g]
JH133B2E01	Ball	1~115	60	0.34	35	3100	203	345	1.2	300	56	800
JH133B2E02	Ball	1~230	50	0.14	30	2600	171	290	0.72	180	51	800

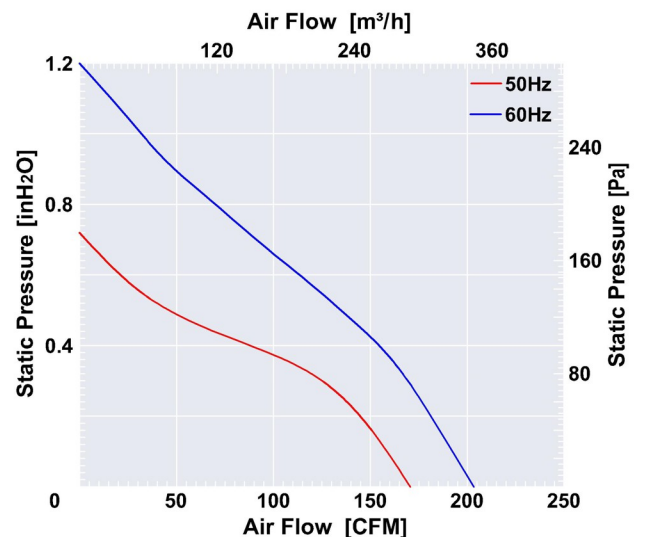
AIR SPACE
交流离心風機

www.pudaelec.com

Dimensions Drawing



Air Flow & Static Pressure Curve



Above specification is only for reference and subject to change without notice.
以上数据仅供参考，如有变更恕不另行通知。

普新惠达