

TD90X00  
Series

# AC CROSS FLOW FAN

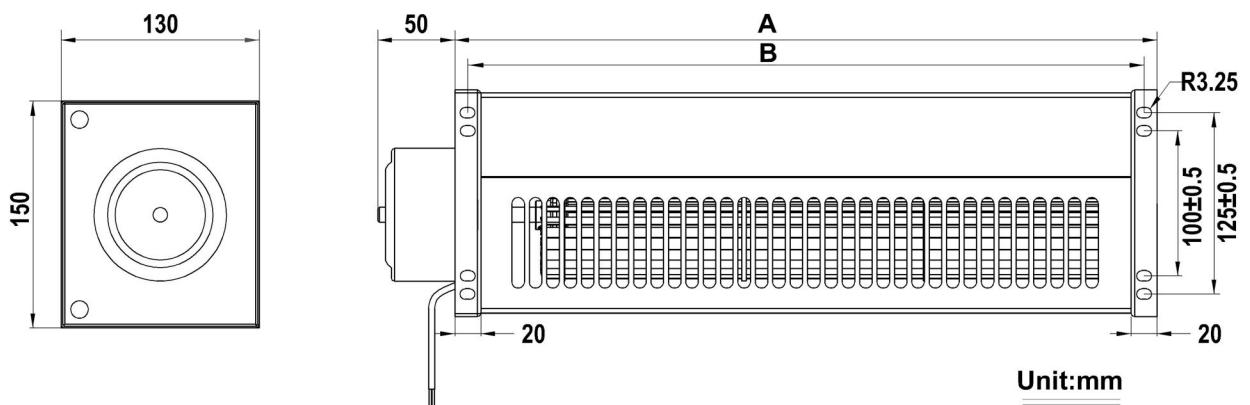
XXX x 130 x 150 mm



Model (型号)	Bearing System (轴承)	Rated Voltage (电压) [VDC]	Voltage Range (电压范围) [VDC]	Current (电流) [A]	Speed (转速) [RPM]	Maximum Air Flow (风量) [CFM]	Maximum Air Flow (风量) [m³/min]	Max. Static Pressure (静压) [InH <sub>2</sub> O]	Max. Static Pressure (静压) [Pa]	Niose Level (噪音) [dB-A]	Mass (质量) [g]
TD9040024H	Ball	24	20~26.4	4.4	3000	882	1500	0.177	45	66	2400
TD9040048H	Ball	48	24~57	2.2	3000	882	1500	0.177	45	78	2400
TD9050024H	Ball	24	20~26.4	4.4	2600	882	1500	0.177	45	78.0	2550
TD9050048H	Ball	48	24~57	2.2	2600	882	1500	0.177	45	78.0	2550
TD9080024H	Ball	24	20~26.4	2.0	1600	882	1500	0.177	45	62.5	3000
TD9080048H	Ball	48	24~57	1.0	1600	882	1500	0.177	45	62.5	3000

型号 \ 尺寸	A	B
TD90400	440	420
TD90500	540	520
TD90800	840	820

## Dimensions Drawing



Above specification is only for reference and subject to change without notice.  
以上数据仅供参考，如有变更恕不另行通知。

普新惠达

AIR SPACE

直流横流风扇

www.pudaelec.com