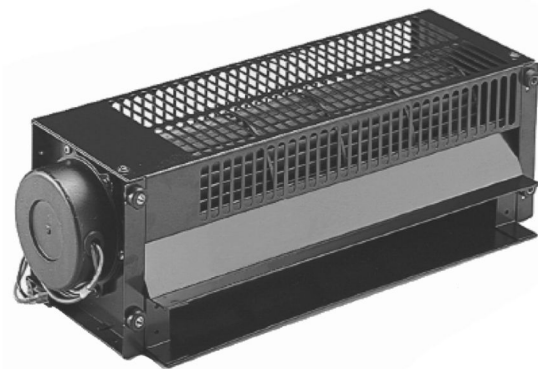


AC CROSS FLOW FAN

420 x 150 x 130 mm

UF9029
Series



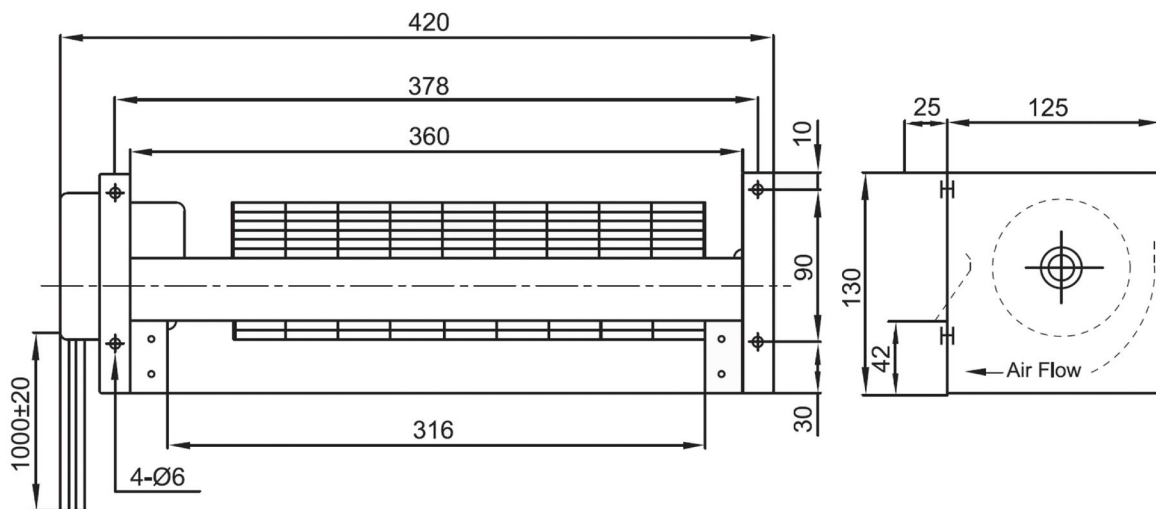
RoHS

Model (型号)	Bearing System (轴承)	Rated Voltage (电压) [VAC]	Freq. (频率) [Hz]	Current (电流) [A]	Input power (功率) [W]	Speed (转速) [RPM]	Maximum Air Flow (风量) [CFM]	Maximum Air Flow (风量) [m ³ /min]	Max. Static Pressure (静压) [InchH ₂ O]	Max. Static Pressure (静压) [Pa]	Noise Level (噪音) [dB-A]	Mass (质量) [g]
UF9029CBP 12H-L	Ball	1~115	50/60	0.28/0.27	33/31	1350/1560	159/177	4.5/5.0	0.09/0.13	22/33	43/46	3000
UF9029CBP 23H-L	Ball	1~230	50/60	0.14/0.13	33/31	1350/1560	159/177	4.5/5.0	0.09/0.13	22/33	43/46	3000

☆ AIR SPACE

交流
横流
風扇

Dimensions Drawing



普新惠达

Above specification is only for reference and subject to change without notice.
以上数据仅供参考，如有变更恕不另行通知。

www.pudaelec.com