

UF6017
Series

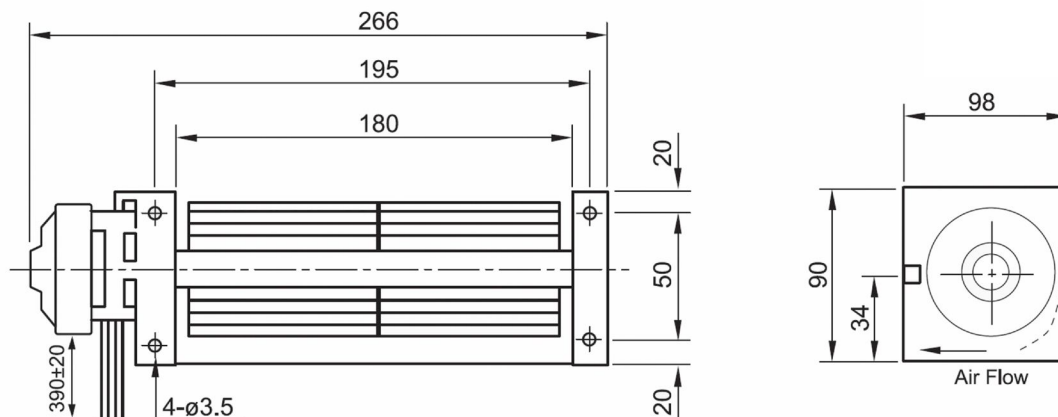
AC CROSS FLOW FAN

266 x 100 x 90 mm



Model (型号)	Bearing System (轴承)	Rated Voltage (电压) [VAC]	Freq. (频率) [Hz]	Current (电流) [A]	Input power (功率) [W]	Speed (转速) [RPM]	Maximum Air Flow (风量) [CFM]	Maximum Air Flow (风量) [m³/min]	Max. Static Pressure (静压) [InchH ₂ O]	Max. Static Pressure (静压) [Pa]	Niose Level (噪音) [dB-A]	Mass (质量) [g]
UF6017SBA 12H-L	Ball	1~115	50/60	0.45/0.70	27/25	2200/2000	106/89	3.0/2.5	0.24/0.22	60/55	43/42	1600
UF6017SBA 23H-L	Ball	1~230	50/60	0.22/0.20	27/25	2200/2000	106/89	3.0/2.5	0.24/0.22	60/55	43/42	1600

Dimensions Drawing



Above specification is only for reference and subject to change without notice.
以上数据仅供参考，如有变更恕不另行通知。

普新惠达

AIR SPACE

交流横流风扇

www.pudaelec.com