

B6025
Series

DC Blower Fan
60 x 60 x 25 mm



Impeller : Made of GRP(PBT) UL94 V-0

風 輪: 玻璃增强热固性塑料PBT, 阻燃等级UL94 V-0

Volute : Made of GRP(PBT) UL94 V-0

蜗 壳: 玻璃增强热固性塑料PBT, 阻燃等级UL94 V-0

Motor : 4 Poles brushless DC motor

電 機: 4极无刷直流電機

Degree of protection : IP54

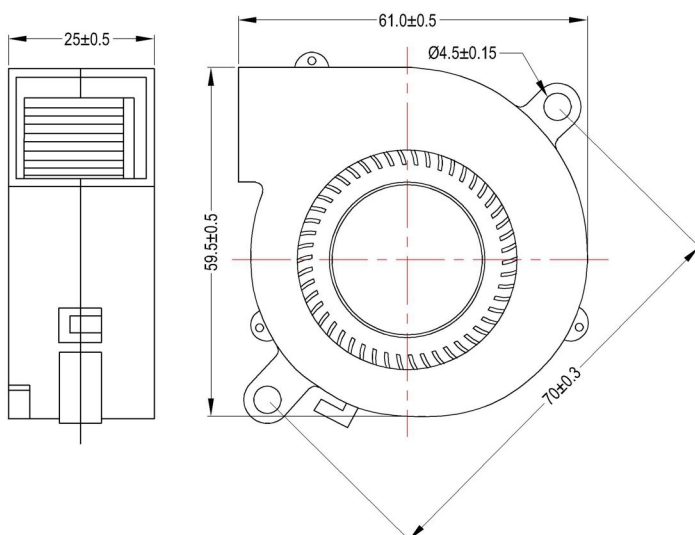
防护等级: IP54

Insulation class : B

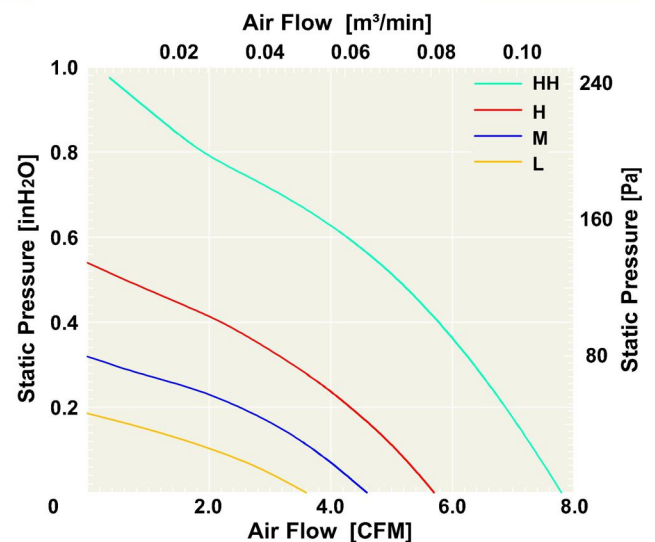
绝缘等级:B

Model (型号)	Bearing System (轴承)	Rated Voltage (电压) [VDC]	Voltage Range (电压范围) [VDC]	Current (电流) [A]	Speed (转速) [RPM]	Maximum Air Flow (风量) [CFM]	Maximum Air Flow (风量) [m³/min]	Max. Static Pressure (静压) [inH ₂ O]	Max. Static Pressure (静压) [Pa]	Niose Level (噪音) [dB-A]	Mass (质量) [g]
B6025L05	B/S	5	3.6~6.8	0.23	3000	3.6	0.102	0.185	46	26.4	42
B6025L12	B/S	12	6.0~13.5	0.13	3000	3.6	0.102	0.185	46	26.4	42
B6025L24	B/S	24	18.0~26.5	0.06	3000	3.6	0.102	0.185	46	26.4	42
B6025M05	B/S	5	3.6~6.8	0.45	4000	4.6	0.13	0.32	79.5	30.6	45
B6025M12	B/S	12	6.0~13.5	0.18	4000	4.6	0.13	0.32	79.5	30.6	45
B6025M24	B/S	24	18.0~26.5	0.09	4000	4.6	0.13	0.32	79.5	30.6	45
B6025H12	B/S	12	6.0~13.5	0.23	5000	5.7	0.16	0.54	134.3	36.5	46
B6025H24	B/S	24	18.0~26.5	0.14	5000	5.7	0.16	0.54	134.3	36.5	46
B6025HH12	B/S	12	6.0~13.5	0.40	5500	7.8	0.22	1.05	261.7	45	46
B6025HH24	B/S	24	18~26.5	0.23	5500	7.8	0.22	1.05	261.7	45	46

Dimensions Drawing



Air Flow & Static Pressure Curve



Above specification is only for reference and subject to change without notice.

以上数据仅供参考, 如有变更恕不另行通知。

普新惠达