

SG150 Series

AC Blower Fan
210x212x112mm



Impeller : Made of SPCC

風輪: 冷軋板

Volute : Made of SPCC

蜗壳: 冷軋板

Motor : Enter rotor & capacitor-run induction motor

電機: 外转子电容运转异步電機

Degree of protection : IP44

防护等级: IP44

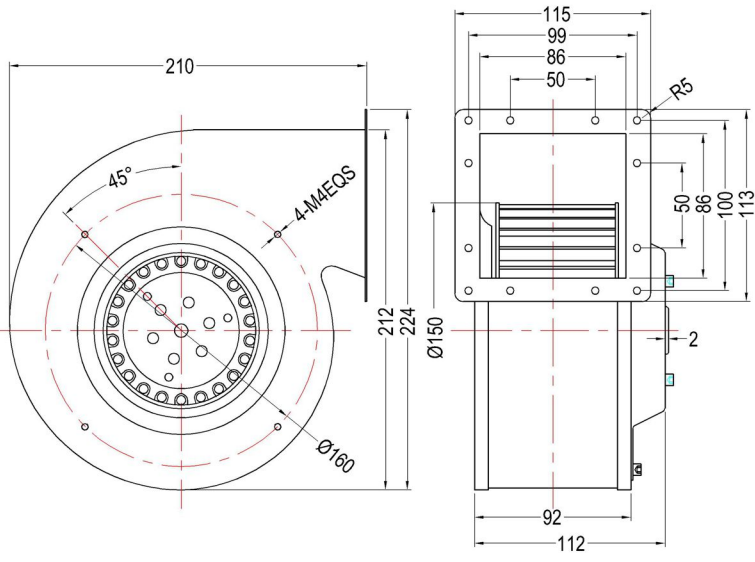
Insulation class : F

绝缘等级:F

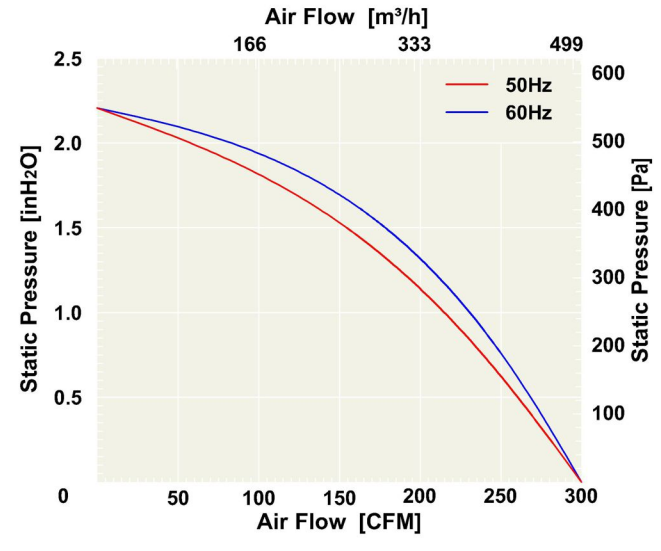


Model (型号)	Bearing System (轴承)	Rated Voltage (电压) [VAC]	Freq. (频率) [Hz]	Current (电流) [A]	Input power (功率) [W]	Speed (转速) [RPM]	Maximum Air Flow (风量) [CFM]	Maximum Air Flow (风量) [m³/h]	Max. Static Pressure (静压) [inchH ₂ O]	Max. Static Pressure (静压) [Pa]	Niose Level (噪音) [dB-A]	Mass (质量) [g]
SG150HA1	Ball	1~115	60	2.3	260	2400	300	510	2.21	550	70	3300
SG150HA2	Ball	1~230	50	0.80	180	2400	300	510	2.21	550	70	3300

Dimensions Drawing



Air Flow & Static Pressure Curve



Above specification is only for reference and subject to change without notice.
以上数据仅供参考，如有变更恕不另行通知。