

SG108  
Series

AC Blower Fan  
158x168x78mm



AIR SPACE

Impeller : Made of galvanized sheet steel

風 輪: 鍍鋅鋼板

Volute : Made of SPCC

蜗 壳: 冷軋板

Motor : Enter rotor & capacitor-run induction motor

電 機: 外轉子電容運轉異步電機

Degree of protection : IP44

防護等級: IP44

Insulation class : F

絕緣等級:F

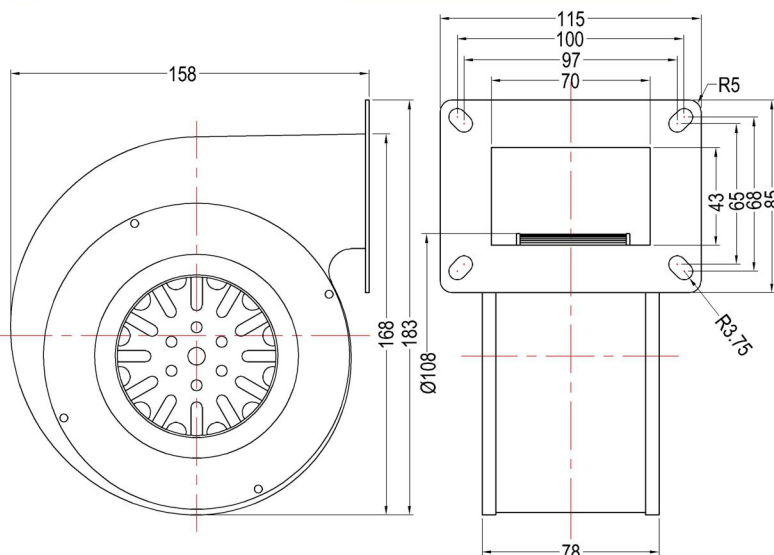


Model (型号)	Bearing System (軸承)	Rated Voltage (電壓) [VAC]	Freq. (頻率) [Hz]	Current (電流) [A]	Input power (功率) [W]	Speed (轉速) [RPM]	Maximum Air Flow (風量) [CFM]	Maximum Air Flow (風量) [m³/h]	Max. Static Pressure (靜壓) [inchH <sub>2</sub> O]	Max. Static Pressure (靜壓) [Pa]	Niose Level (噪音) [dB-A]	Mass (質量) [g]
SG108HA2	Ball	1~230	50	0.17	36	1850	109	185	0.84	210	58	1500
SG108HA3L	Ball	3~380	50	0.16	55	2200	107	182	0.95	230	61	1500

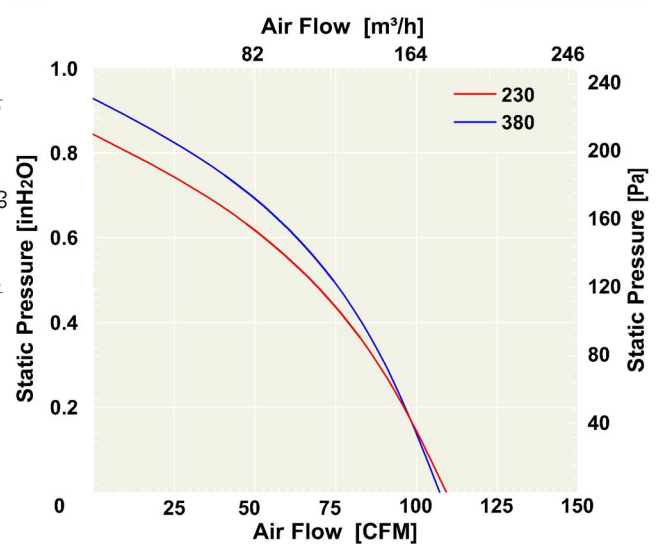
交流鼓風機

www.pudaelec.com

Dimensions Drawing



Air Flow & Static Pressure Curve



Above specification is only for reference and subject to change without notice.  
以上数据仅供参考，如有变更恕不另行通知。

普新惠达