

250FZY Series

AC AXIAL FAN
 Ø285 x 90 mm



Impeller : 5 blades,made of sheet steel

扇 叶: 5叶, 钢板

Frame : Made of steel

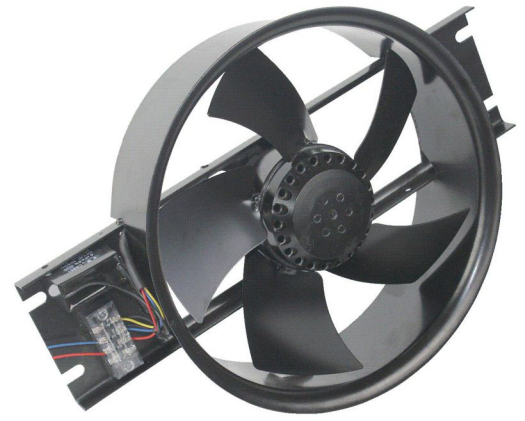
扇 框: 钢制

Motor : External rotor & capacitor-run induction motor

電 機: 外转子电容运转异步电机

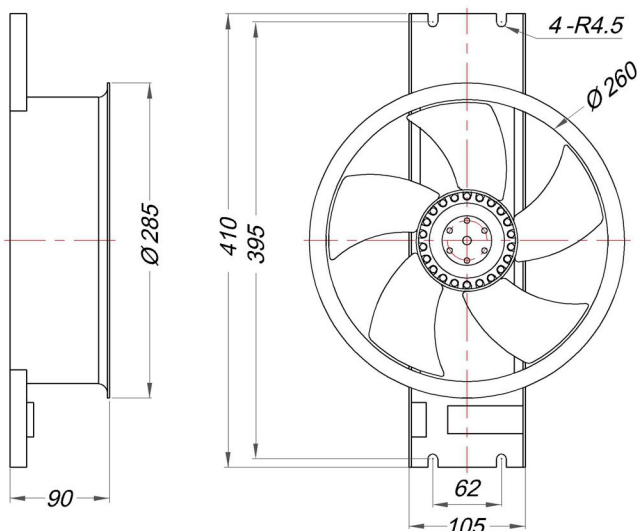
Motor Protection : Thermally protection

电机保护: 热保护

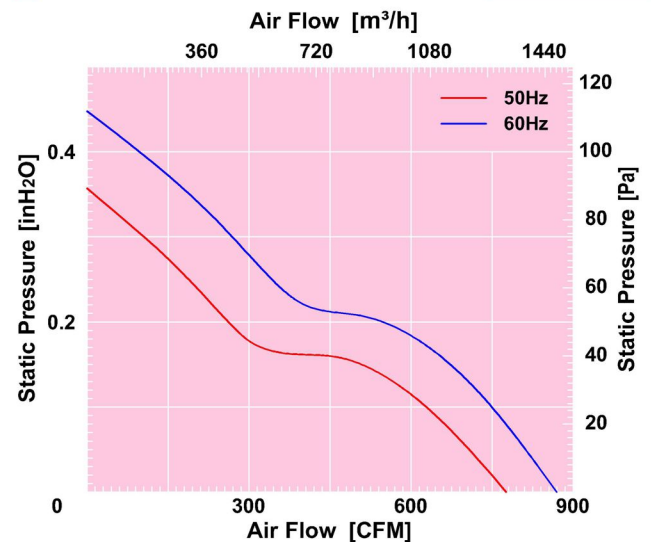


Model (型号)	Bearing System (轴承)	Rated Voltage (电压) [V]	Freq. (频率) [Hz]	Current (电流) [A]	Input power (功率) [W]	Speed (转速) [RPM]	Maximum Air Flow (风量) [CFM]	Maximum Air Flow (风量) [m³/h]	Max. Static Pressure (静压) [in-H ₂ O]	Max. Static Pressure (静压) [Pa]	Niose Level (噪音) [dB-A]	Mass (质量) [kg]
250FZY2	Ball	1~230	50/60	0.50	100	2300/2700	776/870	1320/1480	0.357/0.447	89/111	58/63	3.15
250FZY3	Ball	1~380	50	0.35	100	2300	776	1320	0.357	89	58	3.15
250FZY3L	Ball	3~380	50	0.20	100	2300	776	1320	0.357	89	58	3.15

Dimensions Drawing



Air Flow & Static Pressure Curve



Above specification is only for reference and subject to change without notice.

以上数据仅供参考，如有变更恕不另行通知。