

500FZL Series

AC AXIAL FAN
 Ø500x160 mm



Impeller : 5 blades,made of sheet steel

扇叶: 5叶, 钢板

Guard Grille : Made of steel

防護格柵: 鋼制

Motor : External rotor & capacitor-run induction motor

電機: 外转子电容运转异步電機

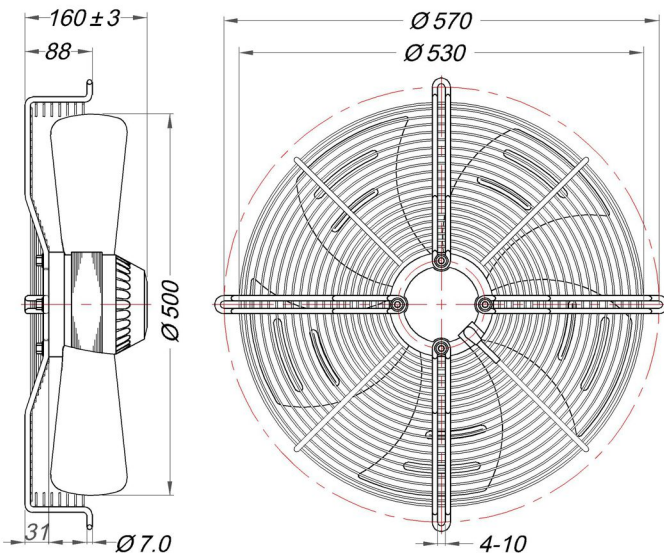
Motor Protection : Thermally protection

電機保护: 热保护

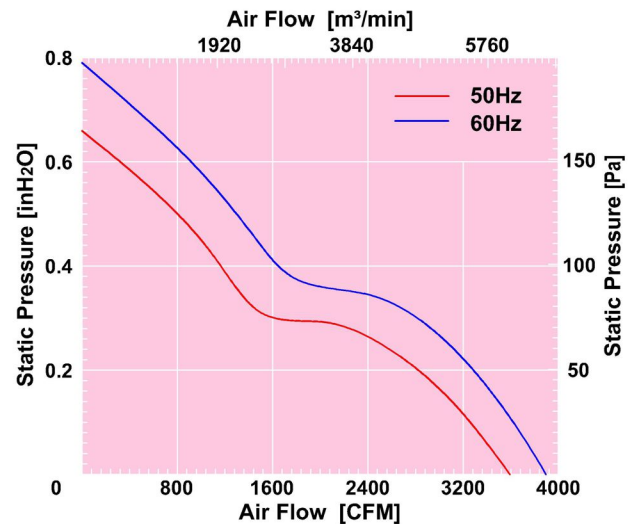


Model (型号)	Bearing System (轴承)	Rated Voltage (电压) [V]	Freq. (频率) [Hz]	Current (电流) [A]	Input power (功率) [W]	Speed (转速) [RPM]	Maximum Air Flow (风量) [CFM]	Maximum Air Flow (风量) [m³/h]	Max. Static Pressure (静压) [in-H ₂ O]	Max. Static Pressure (静压) [Pa]	Niose Level (噪音) [dB-A]	Mass (质量) [kg]
500FZL2	Ball	1~230	50/60	1.8/1.65	480/450	1350/1470	3589/3895	6100/6620	0.66/0.79	165/196	70/73	9.3
500FZL3	Ball	1~380	50	1.2	480	1350	3589	6100	0.66	165	70	9.3
500FZL3L	Ball	3~380	50	0.9	480	1350	3589	6100	0.66	165	70	9.3

Dimensions Drawing



Air Flow & Static Pressure Curve



Above specification is only for reference and subject to change without notice.

以上数据仅供参考，如有变更恕不另行通知。