

400FZL Series

AC AXIAL FAN
 Ø430x153 mm



Impeller : 5 blades,made of sheet steel

扇叶: 5叶, 钢板

Guard Grille : Made of steel

防護格柵: 鋼制

Motor : External rotor & capacitor-run induction motor

電機: 外轉子電容運轉異步電機

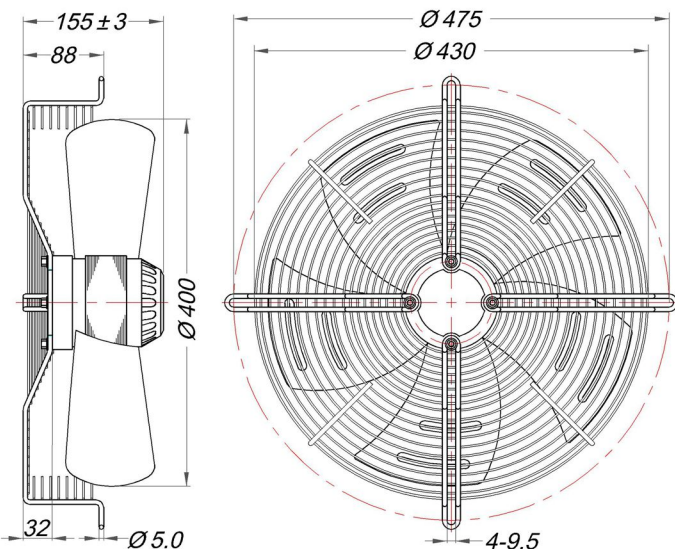
Motor Protection : Thermally protection

電機保護: 熱保護

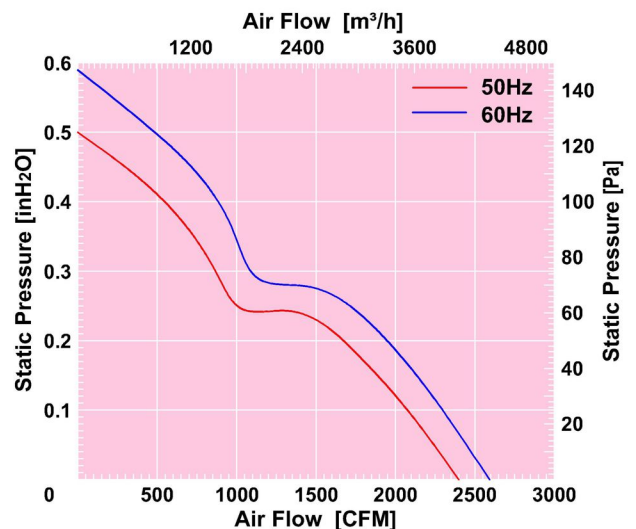


Model (型号)	Bearing System (軸承)	Rated Voltage (電壓) [V]	Freq. (頻率) [Hz]	Current (電流) [A]	Input power (功率) [W]	Speed (轉速) [RPM]	Maximum Air Flow (風量) [CFM]	Maximum Air Flow (風量) [m³/h]	Max. Static Pressure (靜壓) [in-H ₂ O]	Max. Static Pressure (靜壓) [Pa]	Niose Level (噪音) [dB-A]	Mass (質量) [kg]
400FZL2	Ball	230	50/60	0.80/0.75	180/172	1400/1560	2400/2589	4080/4400	0.50/0.59	125/147	68/70	5.6
400FZL3	Ball	380	50	0.45	180	1400	2400	4080	0.50	125	68	5.6
400FZL3N	Ball	380	50	0.40	180	1400	2400	4080	0.50	125	68	5.6

Dimensions Drawing



Air Flow & Static Pressure Curve



Above specification is only for reference and subject to change without notice.

以上数据仅供参考，如有变更恕不另行通知。