

350FZY Series

AC AXIAL FAN

Ø395 x130 mm



Impeller : 5 blades,made of sheet steel

扇 叶: 5叶, 钢板

Frame : Made of steel

扇 框: 钢制

Motor : External rotor & capacitor-run induction motor

電 機: 外转子电容运转异步电机

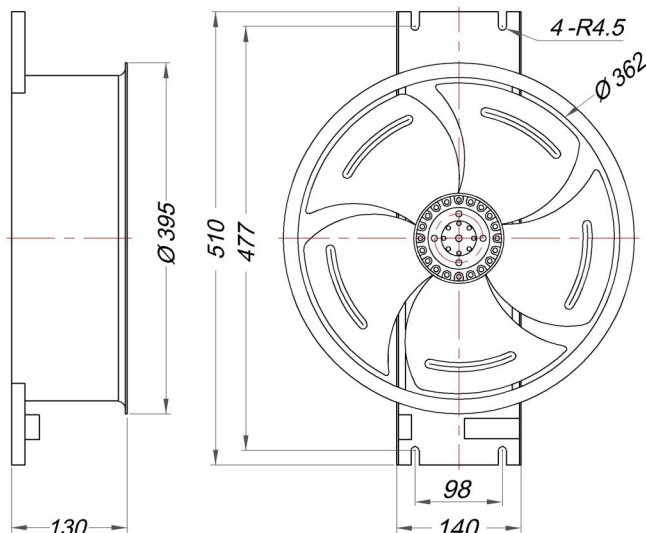
Motor Protection : Thermally protection

电机保护: 热保护

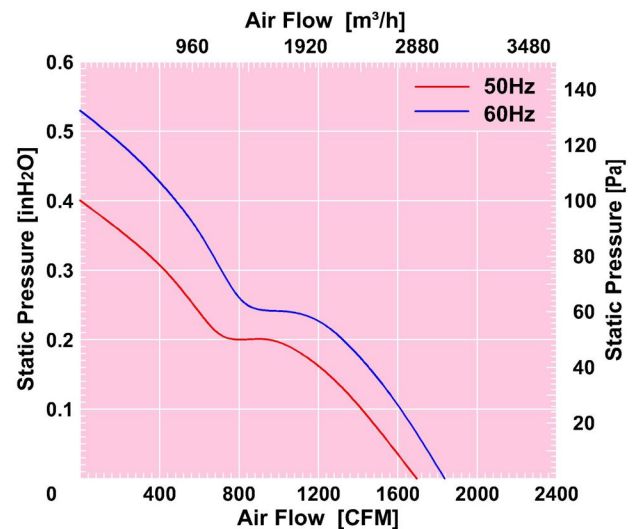


Model (型号)	Bearing System (轴承)	Rated Voltage (电压) [V]	Freq. (频率) [Hz]	Current (电流) [A]	Input power (功率) [W]	Speed (转速) [RPM]	Maximum Air Flow (风量) [CFM]	Maximum Air Flow (风量) [m³/h]	Max. Static Pressure (静压) [in-H ₂ O]	Max. Static Pressure (静压) [Pa]	Niose Level (噪音) [dB-A]	Mass (质量) [kg]
350FZY2	Ball	1~230	50/60	0.5/0.6	110/135	1360/1500	1695/1836	2880/3120	0.40/0.53	100/132	62/65	6.0
350FZY3	Ball	1~380	50	0.40	150	1500	1695	2880	0.40	100	62	6.0
350FZY3L	Ball	3~380	50	0.35	150	1500	1695	2880	0.40	100	62	6.0

Dimensions Drawing



Air Flow & Static Pressure Curve



Above specification is only for reference and subject to change without notice.

以上数据仅供参考，如有变更恕不另行通知。