

300FZY Series

AC AXIAL FAN
 Ø335 x 95 mm



Impeller : 5 blades,made of sheet steel

扇叶: 5叶, 钢板

Frame : Made of steel

扇框: 钢制

Motor : External rotor & capacitor-run induction motor

电机: 外转子电容运转异步电机

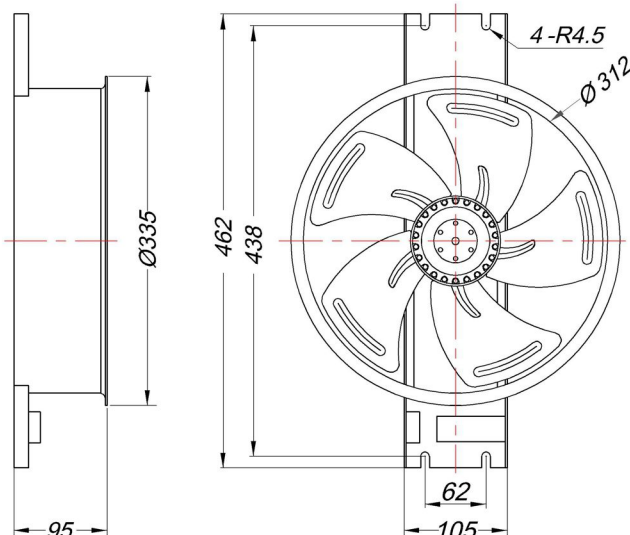
Motor Protection : Thermally protection

电机保护: 热保护

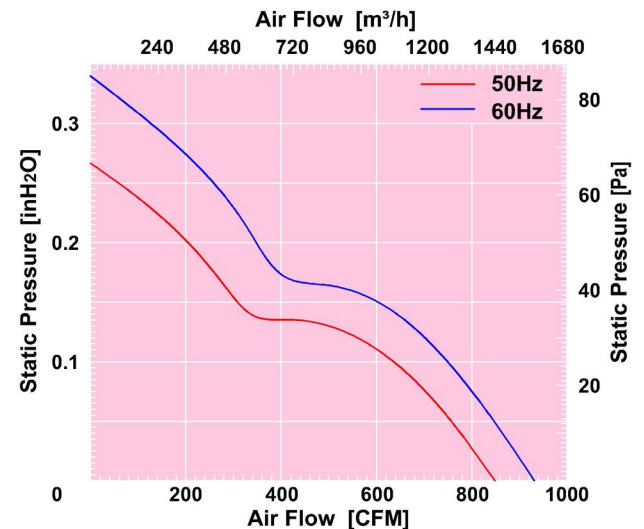


Model (型号)	Bearing System (轴承)	Rated Voltage (电压) [V]	Freq. (频率) [Hz]	Current (电流) [A]	Input power (功率) [W]	Speed (转速) [RPM]	Maximum Air Flow (风量) [CFM]	Maximum Air Flow (风量) [m³/h]	Max. Static Pressure (静压) [in-H ₂ O]	Max. Static Pressure (静压) [Pa]	Niose Level (噪音) [dB-A]	Mass (质量) [kg]
300FZY2	Ball	1~230	50/60	0.40/0.35	80/70	1300/1500	847/931	1440/1580	0.267/0.34	66/85	65/68	3.5
300FZY3	Ball	1~380	50	0.25	80	1500	847	1440	0.267	66	68	3.5
300FZY3L	Ball	3~380	50	0.22	80	1500	847	1440	0.267	66	68	3.5

Dimensions Drawing



Air Flow & Static Pressure Curve



Above specification is only for reference and subject to change without notice.
 以上数据仅供参考，如有变更恕不另行通知。