

200FZL Series

AC AXIAL FAN
 Ø 225 x 72 mm



Impeller : 7 blades,made of sheet steel

扇叶: 7叶, 钢板

Guard Grille : Made of steel

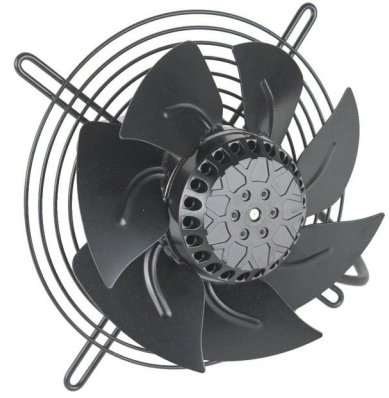
防護格柵: 钢制

Motor : External rotor & capacitor-run induction motor

電機: 外转子电容运转异步電機

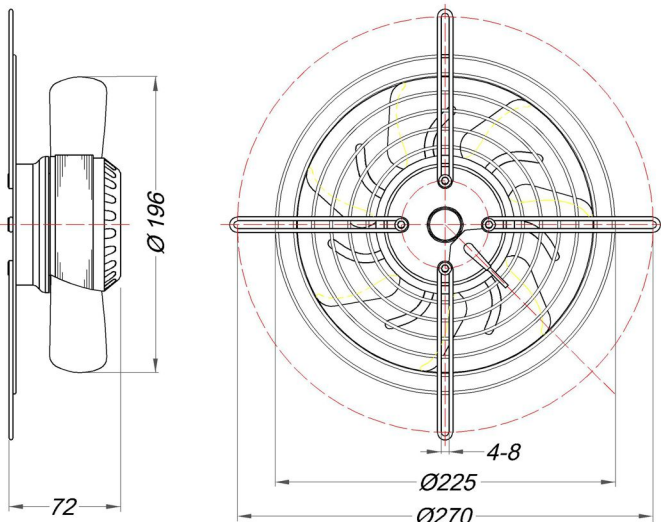
Motor Protection : Thermally protection

電機保护: 热保护

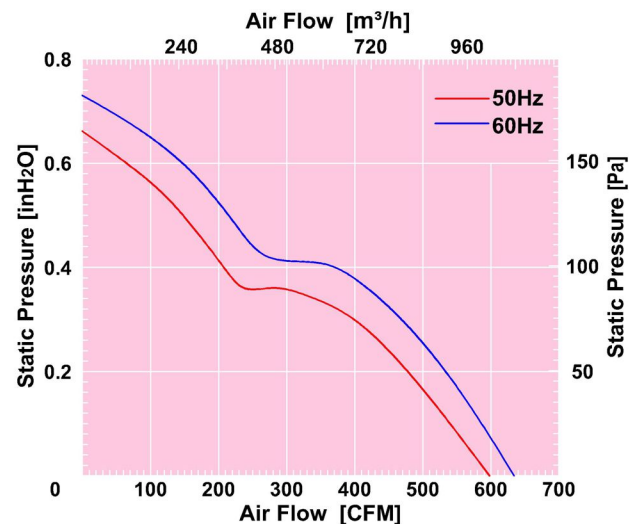


Model (型号)	Bearing System (轴承)	Rated Voltage (电压) [V]	Freq. (频率) [Hz]	Current (电流) [A]	Input power (功率) [W]	Speed (转速) [RPM]	Maximum Air Flow (风量) [CFM]	Maximum Air Flow (风量) [m³/h]	Max. Static Pressure (静压) [in-H ₂ O]	Max. Static Pressure (静压) [Pa]	Niose Level (噪音) [dB-A]	Mass (质量) [kg]
200FZL1	Ball	1~115	50/60	0.68/0.65	67/77	2700/3100	597/634	1013/1076	0.66/0.73	165/182	59/61	1.6
200FZL2	Ball	1~230	50/60	0.35/0.28	62/78	2700/3100	597/634	1013/1076	0.66/0.73	165/182	59/61	1.6
200FZL3	Ball	1~380	50	0.25	65	2700	597	1013	0.66	165	59	1.6
***200FZL3L	Ball	3~380	50	0.25	65	2700	597	1013	0.66	165	59	1.6

Dimensions Drawing



Air Flow & Static Pressure Curve



Above specification is only for reference and subject to change without notice.

以上数据仅供参考，如有变更恕不另行通知。