

TG25489 Series

AC AXIAL FAN
 Ø254 x 89 mm



RoHS

Impeller : 7 blades,made of sheet steel

扇叶: 7叶, 钢板

Frame : Made of die-cast aluminum ADC-12

扇框: 压铸铝 ADC-12

Motor : External rotor & capacitor-run induction motor

电机: 外转子电容运转异步电机

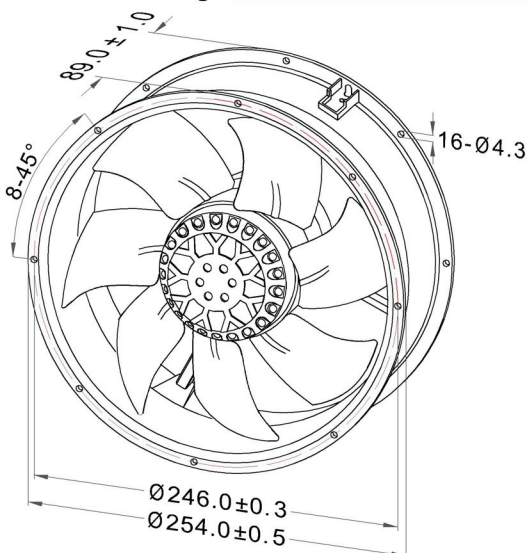
Motor Protection : Thermally protection

电机保护: 热保护

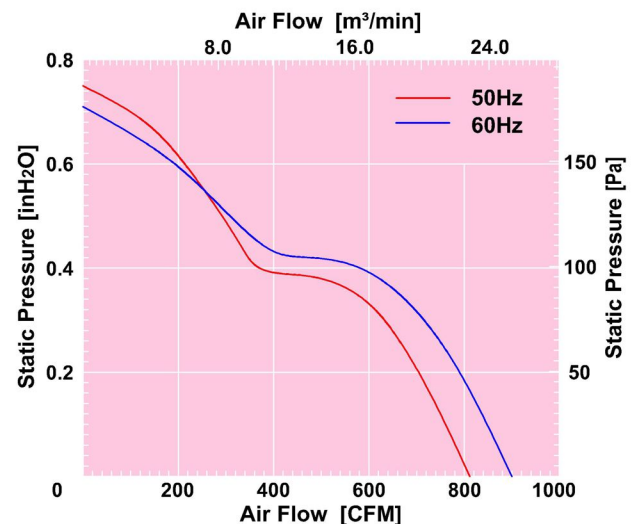


Model (型号)	Bearing System (轴承)	Rated Voltage (电压) [V]	Freq. (频率) [Hz]	Current (电流) [A]	Input power (功率) [W]	Speed (转速) [RPM]	Maximum Air Flow (风量) [CFM]	Maximum Air Flow (风量) [m³/min]	Max. Static Pressure (静压) [in-H ₂ O]	Max. Static Pressure (静压) [Pa]	Niose Level (噪音) [dB-A]	Mass (质量) [g]
TG25489HA1	Ball	1~115	50/60	0.96/1.15	106/125	2700/3100	812/900	23.0/25.5	0.75/0.71	188/176	61/65	2600
TG25489HA2	Ball	1~230	50/60	0.50/0.62	106/125	2700/3100	812/900	23.0/25.5	0.75/0.71	188/176	61/65	2600
TG25489HA3	Ball	1~380	50/60	0.28/0.35	100/120	2700/3100	812/900	23.0/25.5	0.75/0.71	188/176	61/65	2600
TG25489HA3L	Ball	3~380	50/60	0.28/0.35	100/120	2700/3100	812/900	23.0/25.5	0.75/0.71	188/176	61/65	2600

Dimensions Drawing



Air Flow & Static Pressure Curve



Above specification is only for reference and subject to change without notice.

以上数据仅供参考，如有变更恕不另行通知。