

TG22080 Series

AC AXIAL FAN
 Ø222 x 80 mm



Impeller : 5 blades,made of sheet steel

扇 叶: 5叶, 钢板

Frame : Made of die-cast aluminum ADC-12

扇 框: 压铸铝 ADC-12

Motor : External rotor & capacitor-run induction motor

電 機: 外转子电容运转异步电机

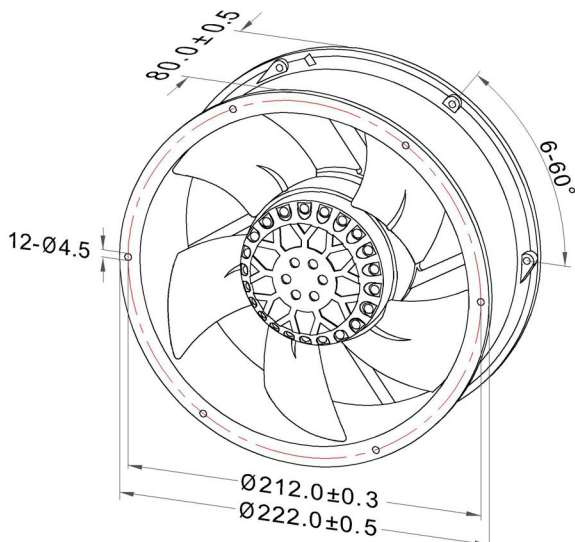
Motor Protection : Thermally protection

电机保护: 热保护

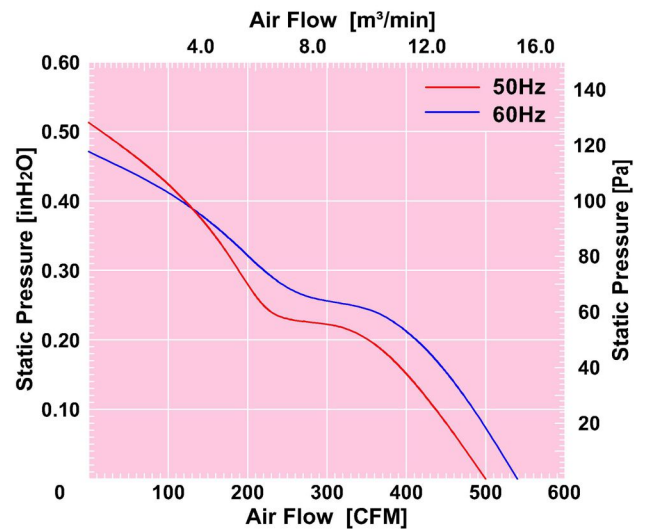


Model (型号)	Bearing System (轴承)	Rated Voltage (电压) [V]	Freq. (频率) [Hz]	Current (电流) [A]	Input power (功率) [W]	Speed (转速) [RPM]	Maximum Air Flow (风量) [CFM]	Maximum Air Flow (风量) [m³/min]	Max. Static Pressure (静压) [in-H ₂ O]	Max. Static Pressure (静压) [Pa]	Niose Level (噪音) [dB-A]	Mass (质量) [g]
TG22080HA1	Ball	1~115	50/60	0.56/0.68	62/76	2600/2800	500/545	14.2/15.4	0.51/0.47	127.4/117.6	55/58	2000
TG22080HA2	Ball	1~230	50/60	0.28/0.35	62/77	2600/2800	500/545	14.2/15.4	0.51/0.47	127.4/117.6	55/58	2000
TG22080HA3	Ball	1~380	50/60	0.16/0.19	56/68	2600/2800	500/545	14.2/15.4	0.51/0.47	127.4/117.6	55/58	2000
***TG22080HA3L	Ball	3~380	50/60	0.16/0.19	56/68	2600/2800	500/545	14.2/15.4	0.51/0.47	127.4/117.6	58/58	2000

Dimensions Drawing



Air Flow & Static Pressure Curve



Above specification is only for reference and subject to change without notice.

以上数据仅供参考，如有变更恕不另行通知。