

TG17238 Series

AC AXIAL FAN
172x150x38mm



Impeller : 7 blades,made of sheet steel
扇叶: 7叶, 钢板

Frame : Made of die-cast aluminum ADC-12
扇框: 压铸铝 ADC-12

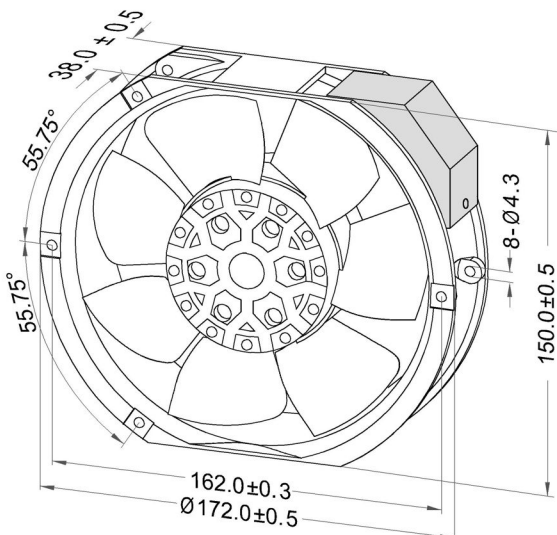
Motor : External rotor & capacitor-run induction motor
电机: 外转子电容运转异步电机

Motor Protection : Thermally protection
电机保护: 热保护

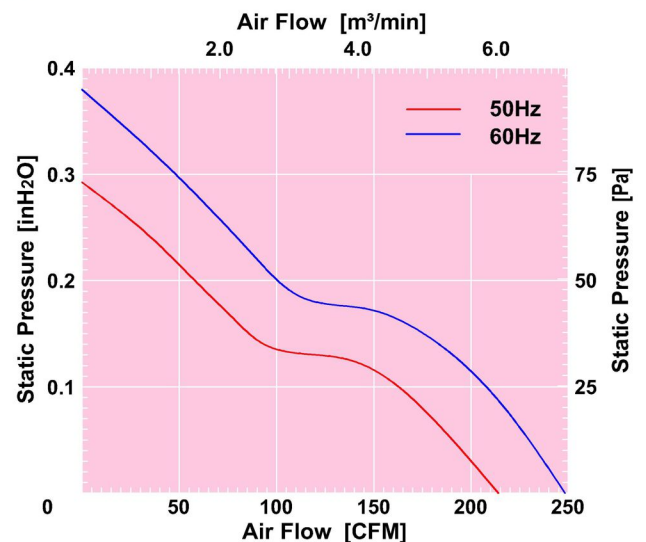


Model (型号)	Bearing System (轴承)	Rated Voltage (电压) [V]	Freq. (频率) [Hz]	Current (电流) [A]	Input power (功率) [W]	Speed (转速) [RPM]	Maximum Air Flow (风量) [CFM]	Maximum Air Flow (风量) [m³/min]	Max. Static Pressure (静压) [in-H ₂ O]	Max. Static Pressure (静压) [Pa]	Niose Level (噪音) [dB-A]	Mass (质量) [g]
TG17238HA1	Ball	1~115	50/60	0.25/0.23	32/30	2500/2900	214/250	6.0/7.0	0.29/0.38	72/95	55/59	860
TG17238HA2	Ball	2~230	50/60	0.14/0.12	32/30	2500/2900	214/250	6.0/7.0	0.29/0.38	72/95	55/59	860

Dimensions Drawing



Air Flow & Static Pressure Curve



Above specification is only for reference and subject to change without notice.
以上数据仅供参考，如有变更恕不另行通知。