

TG12038
Series

AC AXIAL FAN
120x120x38mm



Impeller : 5 blades,made of sheet steel

扇叶: 5叶, 钢板

Frame : Made of die-cast aluminum ADC-12

扇框: 压铸铝 ADC-12

Motor : External rotor & shaded pole induction motor

电机: 外转子罩极异步电机

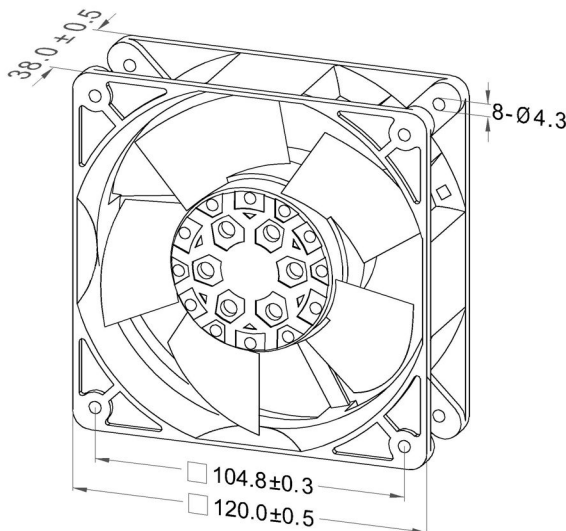
Motor Protection : Impedance protection

电机保护: 阻抗保护

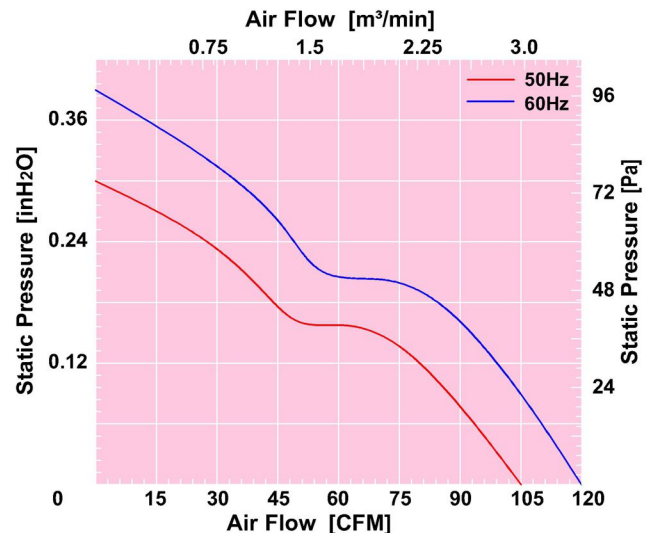


Model (型号)	Bearing System (轴承)	Rated Voltage (电压) [V]	Freq. (频率) [Hz]	Current (电流) [A]	Input power (功率) [W]	Speed (转速) [RPM]	Maximum Air Flow (风量) [CFM]	Maximum Air Flow (风量) [m³/min]	Max. Static Pressure (静压) [in-H ₂ O]	Max. Static Pressure (静压) [Pa]	Niose Level (噪音) [dB-A]	Mass (质量) [g]
TG12038HA1	Ball	1~115	50/60	0.21/0.19	21/18	2600/3000	106/120	3.0/3.4	0.30/0.39	75/96	46/50	600
TG12038HA2	Ball	1~230	50/60	0.15/0.13	25/21	2600/3000	106/120	3.0/3.4	0.30/0.39	75/96	46/50	600

Dimensions Drawing



Air Flow & Static Pressure Curve



Above specification is only for reference and subject to change without notice.

以上数据仅供参考，如有变更恕不另行通知。