

TG8038 Series

# AC AXIAL FAN

80 x 80 x 38 mm



Impeller : 7 blades,made of sheet steel

扇 叶: 7叶, 钢板

Frame : Made of die-cast aluminum ADC-12

扇 框: 压铸铝 ADC-12

Motor : External rotor & shaded pole induction motor

電 機: 外转子罩極异步電機

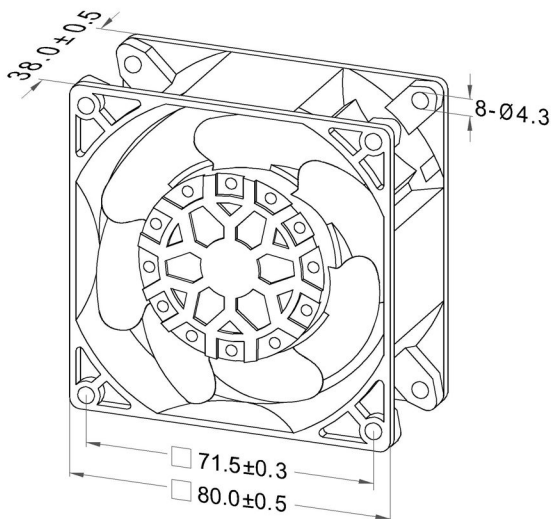
Motor Protection : Impedance protection

電機保护: 阻抗保护

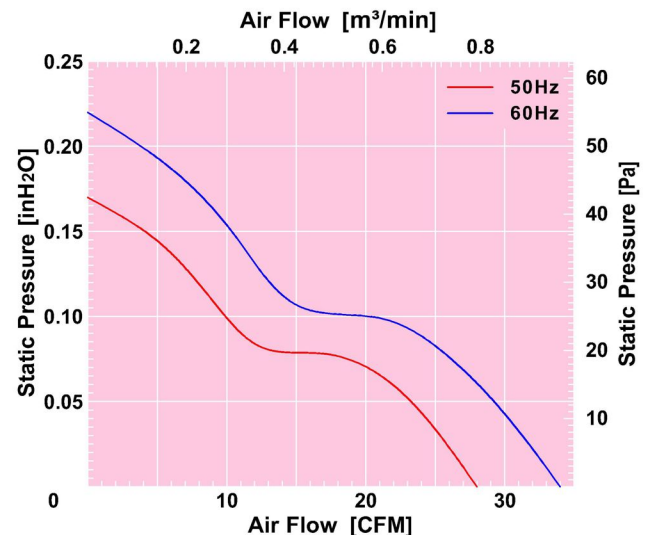


Model (型号)	Bearing System (轴承)	Rated Voltage (电压) [V]	Freq. (频率) [Hz]	Current (电流) [A]	Input power (功率) [W]	Speed (转速) [RPM]	Maximum Air Flow (风量) [CFM]	Maximum Air Flow (风量) [m³/min]	Max. Static Pressure (静压) [in-H <sub>2</sub> O]	Max. Static Pressure (静压) [Pa]	Niose Level (噪音) [dB-A]	Mass (质量) [g]
TG8038HA1	Ball	1~115	50/60	0.18/0.15	17/14	2700/3200	28/34	0.80/0.96	0.17/0.22	42/55	30/36	400
TG8038HA2	Ball	1~230	50/60	0.10/0.08	17/14	2700/3200	28/34	0.80/0.96	0.17/0.22	42/55	30/36	400

## Dimensions Drawing



## Air Flow & Static Pressure Curve



Above specification is only for reference and subject to change without notice.

以上数据仅供参考，如有变更恕不另行通知。