

**GW15051**  
Series

**AC AXIAL FAN**  
□ 150x150x51 mm



Impeller : 5 blades,made of plastic PBT  
 扇 叶: 5叶 PBT塑料

Frame : Made of die-cast aluminum ADC-12  
 扇 框: 压铸铝 ADC-12

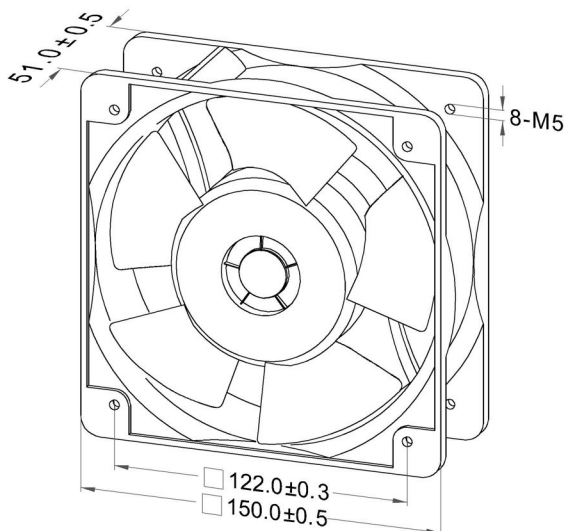
Motor : Shaded pole induction motor  
 電 機: 罩极异步电机

Motor Protection : Impedance protection  
 电机保护: 阻抗保护

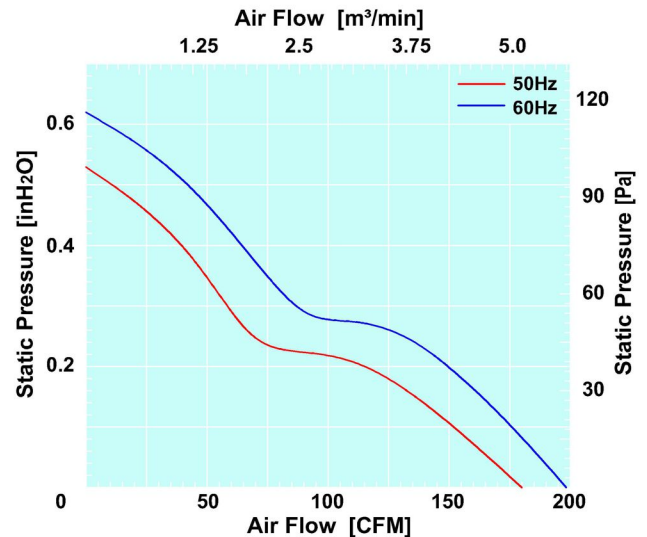


Model (型号)	Bearing System (轴承)	Rated Voltage (电压) [V]	Freq. (频率) [Hz]	Current (电流) [A]	Input power (功率) [W]	Speed (转速) [RPM]	Maximum Air Flow (风量) [CFM]	Maximum Air Flow (风量) [m³/min]	Max. Static Pressure (静压) [in-H <sub>2</sub> O]	Max. Static Pressure (静压) [Pa]	Niose Level (噪音) [dB-A]	Mass (质量) [g]
GW150511AH	B/S	115	50/60	0.37/0.32	26/24	2700/3000	180/198	5.1/5.6	0.53/0.62	132/154	48/52	860
GW150512BH	B/S	230	50/60	0.18/0.16	25/23	2700/3000	180/198	5.1/5.6	0.53/0.62	132/154	48/52	860
GW150513CH	B/S	380	50/60	0.12/0.10	29/26	2700/3000	180/198	5.1/5.6	0.53/0.62	132/154	48/52	860

Dimensions Drawing



Air Flow & Static Pressure Curve



Above specification is only for reference and subject to change without notice.  
 以上数据仅供参考，如有变更恕不另行通知。