

GW12038 Series

AC AXIAL FAN
□ 120x120x38 mm

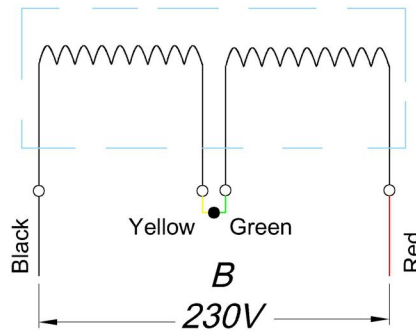
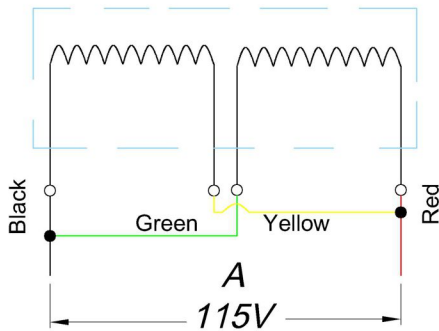
双电压 (DUAL VOLTAGE)



Impeller : 5 blades,made of plastic PBT
 扇 叶: 5叶 PBT塑料
 Frame : Made of die-cast aluminum ADC-12
 扇 框: 压铸铝 ADC-12
 Motor : Shaded pole induction motor
 電 機: 蔽極异步電機
 Motor Protection : Impedance protection
 電機保护: 阻抗保护



Model (型号)	Bearing System (轴承)	Rated Voltage (电压) [V]	Freq. (频率) [Hz]	Current (电流) [A]	Input power (功率) [W]	Speed (转速) [RPM]	Maximum Air Flow (风量) [CFM]	Maximum Air Flow (风量) [m³/min]	Max. Static Pressure (静压) [in-H ₂ O]	Max. Static Pressure (静压) [Pa]	Niose Level (噪音) [dB-A]	Mass (质量) [g]
GW120381AH	B/S	115	50/60	0.27/0.21	25/19	2600/3000	87/103	2.5/2.9	0.28/0.34	70/85	43/49	520
GW120382BH	B/S	230	50/60	0.13/0.09	22/15	2600/3000	87/103	2.5/2.9	0.28/0.34	70/85	43/49	520

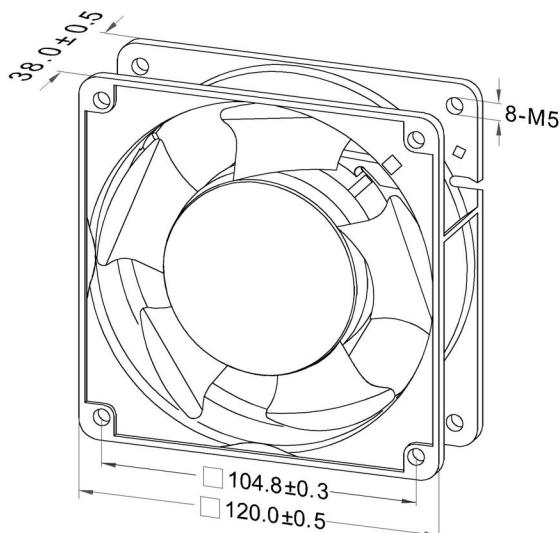


All the AC axial fan according to customer demand production of dual voltage. Performance parameters are the same as 115VAC&230VAC

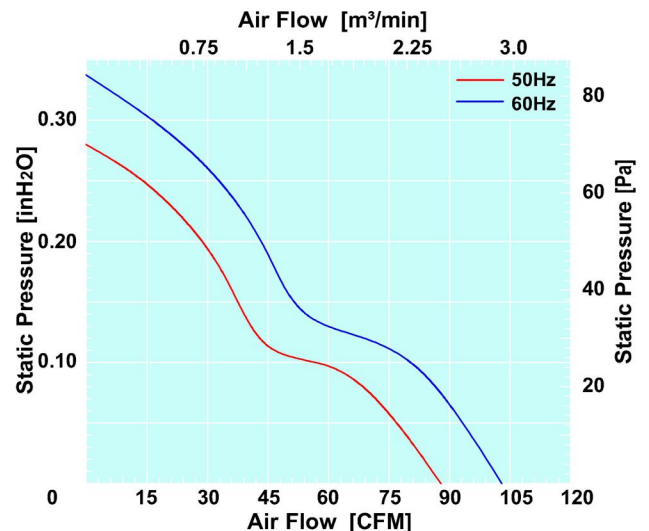
全系列交流轴流风扇，可根据客户需求生产双电压。性能参数与115VAC&230VAC相同。

P.S:一个风扇通过不同的接线方式，实现两种电压下工作。适用于双电压地区，如南美。

Dimensions Drawing



Air Flow & Static Pressure Curve



Above specification is only for reference and subject to change without notice.
 以上数据仅供参考，如有变更恕不另行通知。