

GW22060
Series

AC AXIAL FAN
Ø 222 x 61 mm



Impeller : 5 blades,made of plastic PBT

扇 叶: 5叶 PBT塑料

Frame : Made of die-cast aluminum ADC-12

扇 框: 压铸铝 ADC-12

Motor : External rotor & capacitor-run induction motor

電 機: 电容运转异步电机

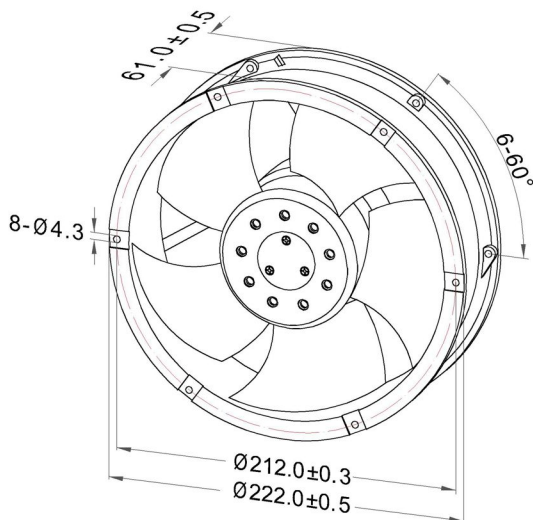
Motor Protection : Thermally protection

电机保护: 热保护

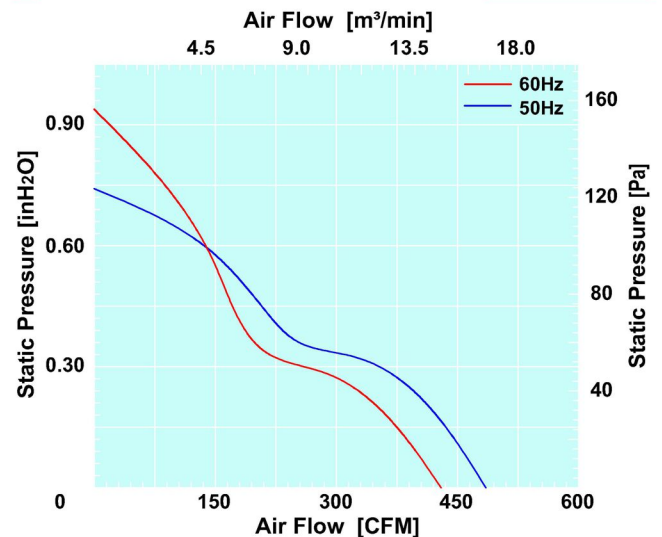


Model (型号)	Bearing System (轴承)	Rated Voltage (电压) [V]	Freq. (频率) [Hz]	Current (电流) [A]	Input power (功率) [W]	Speed (转速) [RPM]	Maximum Air Flow (风量) [CFM]	Maximum Air Flow (风量) [m³/min]	Max. Static Pressure (静压) [in-H ₂ O]	Max. Static Pressure (静压) [Pa]	Niose Level (噪音) [dB-A]	Mass (质量) [g]
GW220601AH	Ball	115	50/60	0.90	54/72	2800/3100	430/485	12.2/13.7	0.94/0.74	234/184	55/67	1250
GW220602BH	Ball	230	50/60	0.24/0.30	54/72	2800/3100	430/485	12.2/13.7	0.94/0.74	234/184	55/67	1250

Dimensions Drawing



Air Flow & Static Pressure Curve



Above specification is only for reference and subject to change without notice.

以上数据仅供参考，如有变更恕不另行通知。