

GW6030
Series

AC AXIAL FAN
□ 60 x 60 x 30 mm



Impeller : 5 blades,made of plastic PBT

扇 叶: 5叶 PBT塑料

Frame : Made of die-cast aluminum ADC-12

扇 框: 压铸铝 ADC-12

Motor : Shaded pole induction motor

電 機: 罩极异步电机

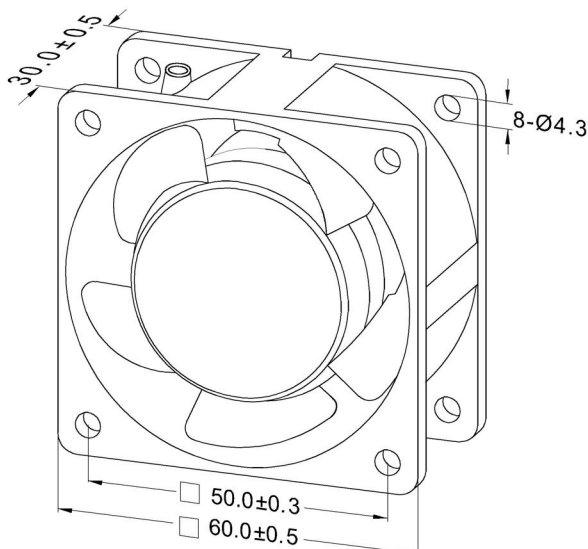
Motor Protection : Impedance protection

电机保护: 阻抗保护

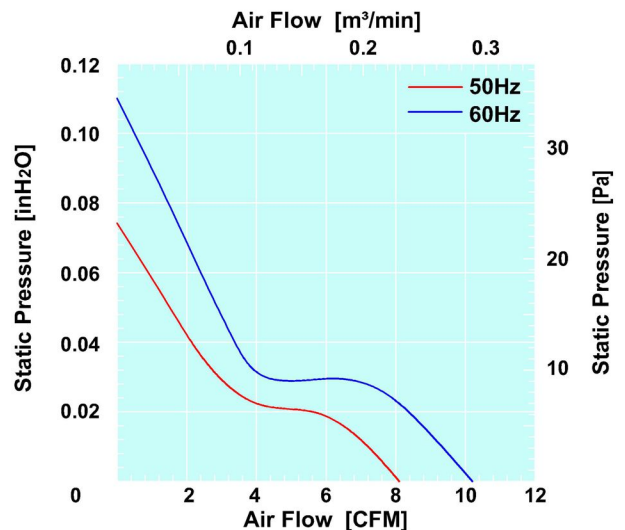


Model (型号)	Bearing System (轴承)	Rated Voltage (电压) [V]	Freq. (频率) [Hz]	Current (电流) [A]	Input power (功率) [W]	Speed (转速) [RPM]	Maximum Air Flow (风量) [CFM]	Maximum Air Flow (风量) [m³/min]	Max. Static Pressure (静压) [in-H ₂ O]	Max. Static Pressure (静压) [Pa]	Niose Level (噪音) [dB-A]	Mass (质量) [g]
GW60301AH	Ball	115	50/60	0.04/0.035	5/4	2400/3000	8.10/10.24	0.23/0.29	0.07/0.11	17.4/27.4	27/28	140
GW60302BH	Ball	230	50/60	0.02/0.016	5/4	2400/3000	8.10/10.24	0.23/0.29	0.07/0.11	17.4/27.4	27/28	140

Dimensions Drawing



Air Flow & Static Pressure Curve



Above specification is only for reference and subject to change without notice.

以上数据仅供参考，如有变更恕不另行通知。