

AUTO  
RESTAR

PWM

FG

SS  
Soft Starter

V<sub>sp</sub>  
0-5V

# DC/EC Centrifugal Fan

Ø180 x 49 mm

18049  
Series



Impeller : Made of galvanized sheet steel

風輪: 鍍鋅鋼板

Motor : DC brushless motor

電機: 直流无刷電機

Degree of protection : IP42

防护等级: IP42

Operating temperature : -25~+70°C

工作温度: -25~+70°C

## DC SPECIFICATIONS

Model (型号)	Bearing System (轴承)	Rated Voltage (电压) [VDC]	Voltage Range (电压范围) [VDC]	Current (电流) [A]	Speed (转速) [RPM]	Maximum Air Flow (风量) [CFM]	Maximum Air Flow (风量) [m³/h]	Max. Static Pressure (静压) [in-H <sub>2</sub> O]	Max. Static Pressure (静压) [Pa]	Noise Level (噪音) [dB-A]	Mass (质量) [g]
TD1804924HB	Ball	24	20~28	5.2	2500	664	1129	1.18	294.3	77	1543
TD1804948HB	Ball	48	24~57	2.6	2500	664	1129	1.18	294.3	77	1552

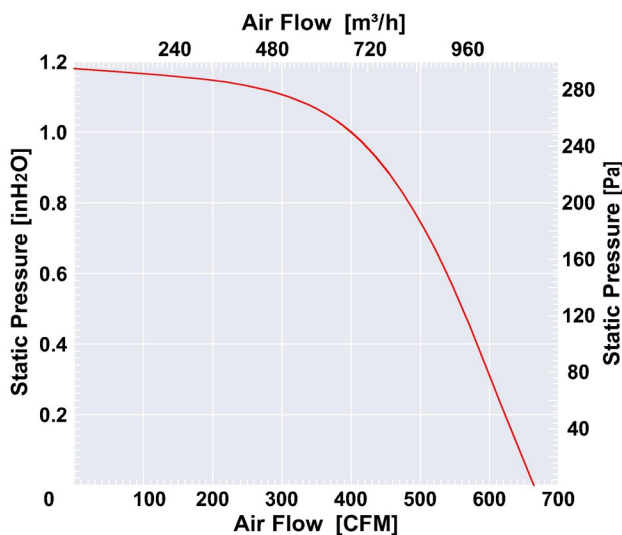
## EC SPECIFICATIONS

Model (型号)	Bearing System (轴承)	Rated Voltage (电压) [VAC]	Voltage Range (电压范围) [VAC]	Power (功率) [W]	Speed (转速) [RPM]	Maximum Air Flow (风量) [CFM]	Maximum Air Flow (风量) [m³/h]	Max. Static Pressure (静压) [in-H <sub>2</sub> O]	Max. Static Pressure (静压) [Pa]	Noise Level (噪音) [dB-A]	Mass (质量) [g]
TE1804901HB	Ball	1~115	85~130	153	2500	664	1129	1.18	294.3	77	1570
TE1804902HB	Ball	2~230	85~265	150	2500	664	1129	1.18	294.3	77	1565

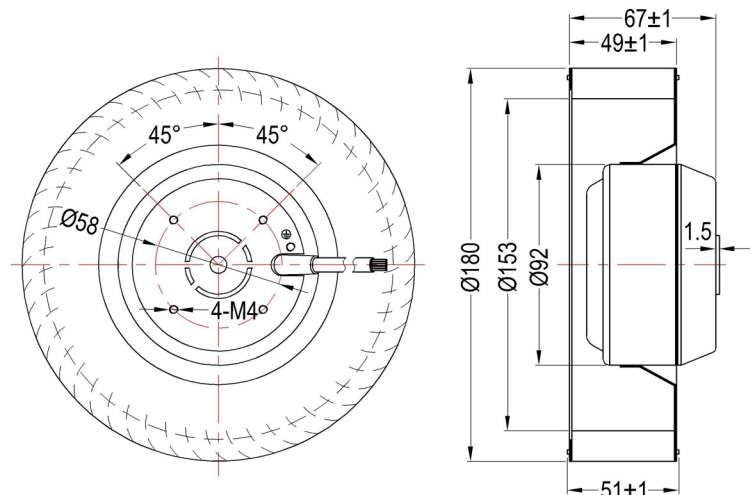


EC BOX

## Air Flow & Static Pressure Curve



## Dimensions Drawing



普新惠达

Above specification is only for reference and subject to change without notice.  
以上数据仅供参考，如有变更恕不另行通知。

AIR SPACE

DC EC 离心風機

www.pudaelec.com