

GW6015 Series DC AXIAL FAN

□ 60 x 60 x 15 mm

- AUTO (RESTAR)
- PWM
- FG
- RD SIGNAL H
- RD SIGNAL L



Impeller : 7 blades, made of plastic PBT UL94 V-0

扇 叶: 7叶, PBT塑料制, 阻燃等级UL94 V-0

Frame : Made of plastic PBT UL94 V-0

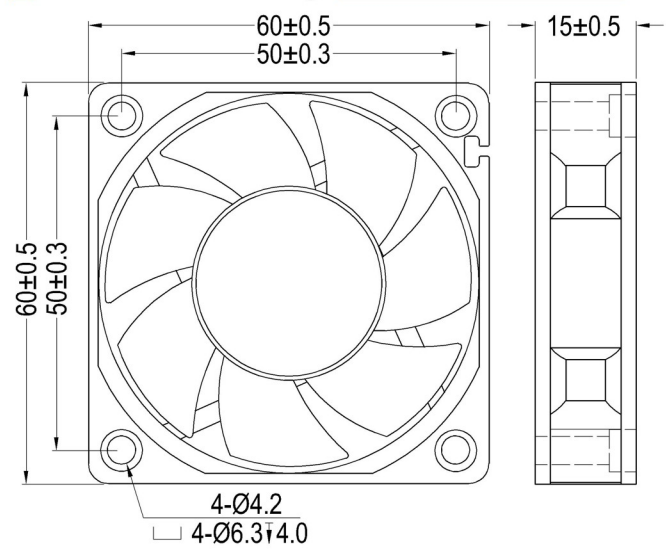
扇 框: PBT塑料制, 阻燃等级UL94 V-0

Motor : 4 poles brushless DC motor

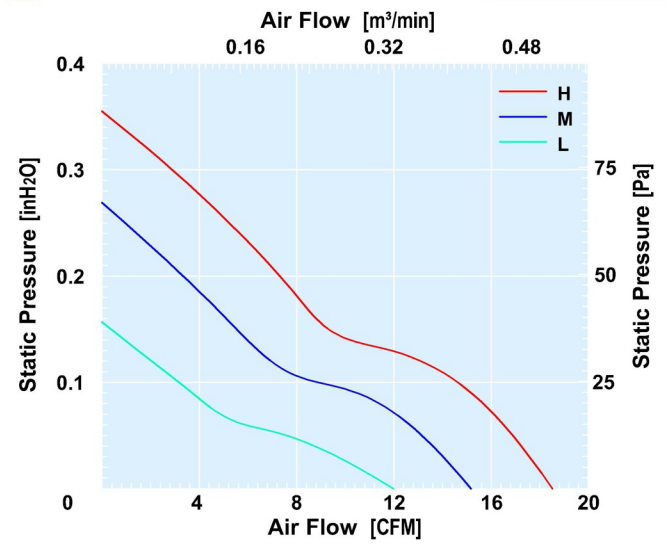
電 機: 4极无刷直流電機

Model (型号)	Bearing System (轴承)	Rated Voltage (电压) [V]	Voltage Range (电压范围) [V]	Current (电流) [A]	Speed (转速) [RPM]	Maximum Air Flow (风量) [CFM]	Maximum Air Flow (风量) [m³/min]	Max. Static Pressure (静压) [inH ₂ O]	Max. Static Pressure (静压) [Pa]	Niose Level (噪音) [dB-A]	Mass (质量) [g]
GW601505L	B/S	5	3.6~6.8	0.21	4000	12.0	0.34	0.157	39	30.9	37
GW601512L	B/S	12	6.0~13.5	0.10	4000	12.0	0.34	0.157	39	30.9	37
GW601512M	B/S	12	6.0~13.5	0.15	5000	15.16	0.43	0.269	67	36.5	37.5
GW601524M	B/S	24	18.0~26.5	0.09	5000	15.16	0.43	0.269	67	36.5	37.5
GW601512H	B/S	12	6.0~13.5	0.17	6000	18.42	0.52	0.356	88.6	39.0	38
GW601524H	B/S	24	18.0~26.5	0.10	6000	18.42	0.52	0.356	88.6	39.0	38

Dimensions Drawing



Air Flow & Static Pressure Curve



Above specification is only for reference and subject to change without notice.
以上数据仅供参考, 如有变更恕不另行通知。