



# EC AXIAL FAN

## □ 202x202x61mm

**GW20060**  
Series



Impeller : 5 blades, made of plastic PBT UL94 V-0

扇 叶: 5叶, PBT塑料制, 阻燃等级UL94 V-0

Frame : Made of die-cas aluminum ADC-12

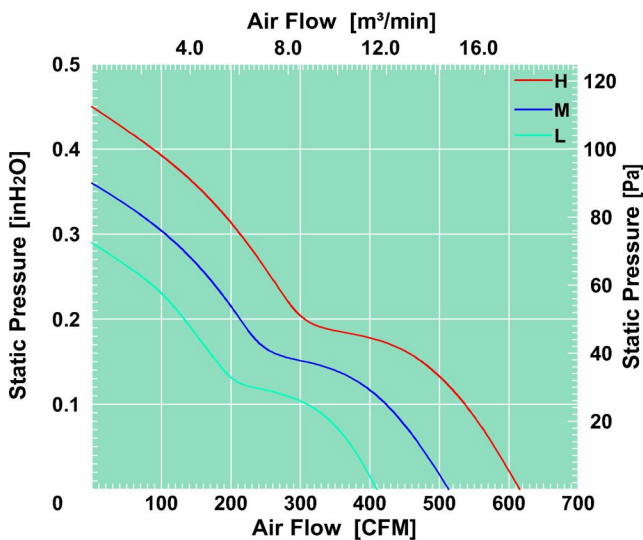
扇 框: 压铸铝 ADC-12

Motor : 8 Poles brushless DC motor

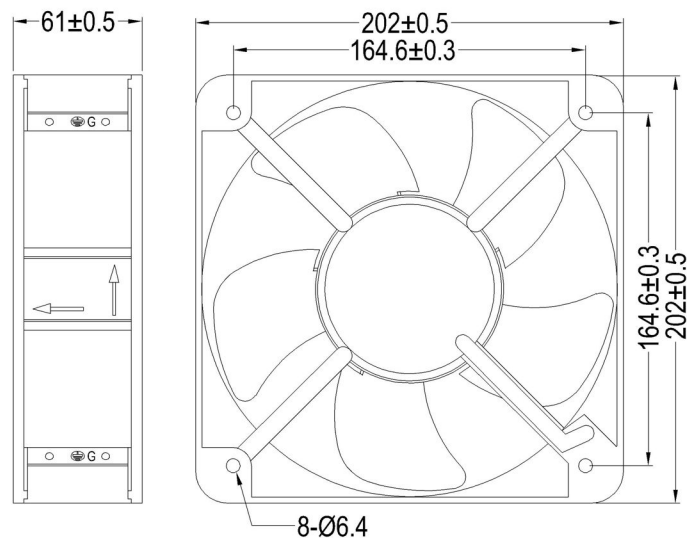
電 機: 8极无刷直流电机

Model (型号)	Bearing System (轴承)	Rated Voltage (电压) [VAC]	Voltage Range (电压范围) [VAC]	Freq. (频率) [Hz]	Input Power (功率) [W]	Speed (转速) [RPM]	Maximum Air Flow (风量) [CFM]	Maximum Air Flow (风量) [m³/min]	Max. Static Pressure (静压) [in-H <sub>2</sub> O]	Max. Static Pressure (静压) [Pa]	Niose Level (噪音) [dB-A]	Mass (质量) [g]
GW2006011L	Ball	110	80~130	50/60	40	2000	410.93	11.64	0.29	72.2	56.3	2385
GW2006022L	Ball	220	100~240	50/60	40	2000	410.93	11.64	0.29	72.2	56.3	2385
GW2006011M	Ball	110	80~130	50/60	50	2500	513.66	14.55	0.36	89.6	60.2	2392
GW2006022M	Ball	220	100~240	50/60	50	2500	513.66	14.55	0.36	89.6	60.2	2392
GW2006011H	Ball	110	80~130	50/60	70	3000	616.4	17.46	0.45	112	65.8	2400
GW2006022H	Ball	220	100~240	50/60	70	3000	616.4	17.46	0.45	112	65.8	2400

### Air Flow & Static Pressure Curve



### Dimensions Drawing



Above specification is only for reference and subject to change without notice.  
以上数据仅供参考, 如有变更恕不另行通知。