

YY250  
Series

DC Centrifugal Fan  
Ø250 x 93 mm

AUTO  
RESTAR

PWM

FG

RD  
SIGNAL H

RD  
SIGNAL L

Impeller : 11 blades,made of GRP UL94 V-0

風 輪: 11叶,玻璃增强热固性塑料, 阻燃等级UL94 V-0

Motor : DC brushless motor

電 機: 直流无刷電機

Degree of protection : IP54

防护等级: IP54

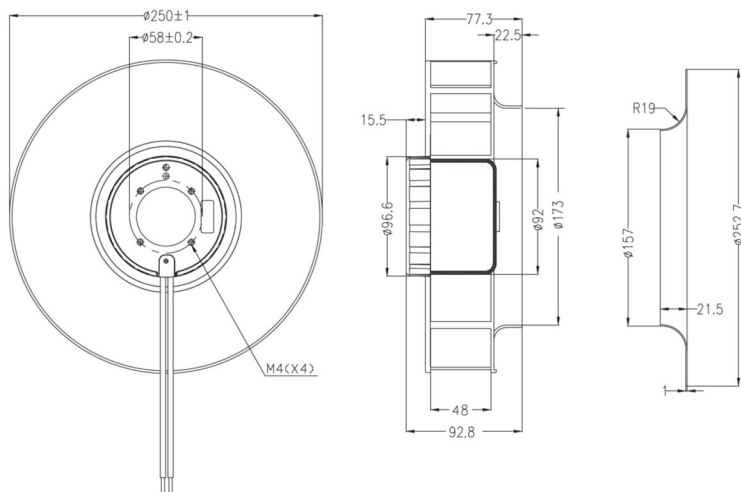
Operating temperature : -25~+70°C

工作温度: -25~+70°C

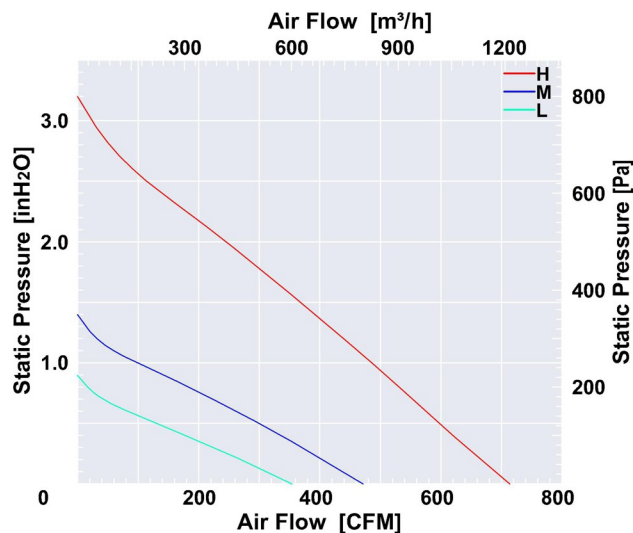


Model (型号)	Bearing System (轴承)	Rated Voltage (电压) [VDC]	Voltage Range (电压范围) [VDC]	Current (电流) [A]	Speed (转速) [RPM]	Maximum Air Flow (风量) [CFM]	Maximum Air Flow (风量) [m³/h]	Max. Static Pressure (静压) [in-H <sub>2</sub> O]	Max. Static Pressure (静压) [Pa]	Noise Level (噪音) [dB-A]	Mass (质量) [g]
YY250L24	Ball	24	18.0~26.5	4.5	1500	357.2	607.2	0.8	198.2	61.3	2000
YY250M24	Ball	24	18.0~26.5	5.6	2000	476.3	809.7	1.4	352.3	67.5	2000
YY250H24	Ball	24	18.0~26.5	7.2	3000	714.4	1214.5	3.2	792.8	76.3	2000
YY250L48	Ball	48	36.0~54.0	2.2	1500	357.2	607.2	0.8	198.2	61.3	2000
YY250M48	Ball	48	36.0~54.0	2.9	2000	476.3	809.7	1.4	352.3	67.5	2000
YY250H48	Ball	48	36.0~54.0	3.9	3000	714.4	1214.5	3.2	792.8	76.3	2000

### Dimensions Drawing



### Air Flow & Static Pressure Curve



Above specification is only for reference and subject to change without notice.

以上数据仅供参考, 如有变更恕不另行通知。

普新惠达

AIR SPACE

直流离心風機

www.pudaelec.com