

AUTO
RESTAR

PWM

FG

RD
SIGNAL H

RD
SIGNAL L

DC Centrifugal Fan Ø310 x 160 mm

YY310
Series



Impeller : 6 blades,made of aluminum

風輪: 6叶,铝制

Motor : DC brushless motor

電機: 直流无刷電機

Degree of protection : IP54

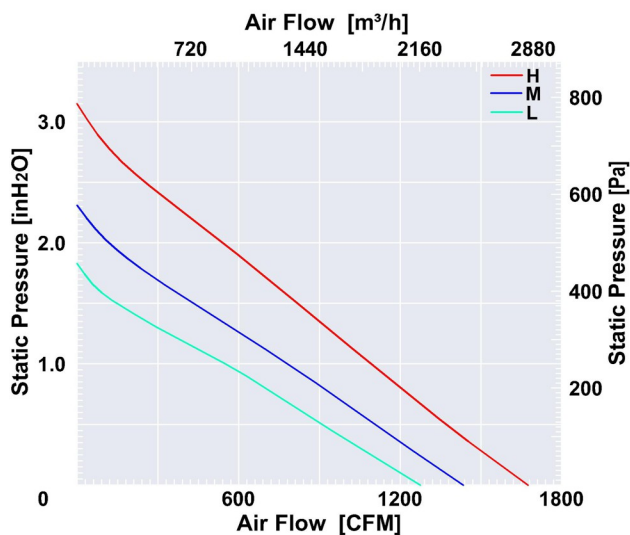
防护等级: IP54

Operating temperature : -25~+70°C

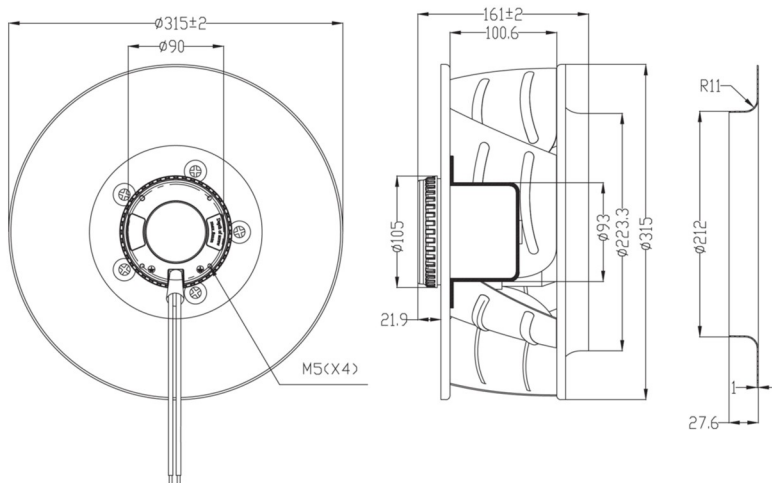
工作温度: -25~+70°C

Model (型号)	Bearing System (轴承)	Rated Voltage (电压) [VDC]	Voltage Range (电压范围) [VDC]	Current (电流) [A]	Speed (转速) [RPM]	Maximum Air Flow (风量) [CFM]	Maximum Air Flow (风量) [m³/h]	Max. Static Pressure (静压) [in-H ₂ O]	Max. Static Pressure (静压) [Pa]	Niose Level (噪音) [dB-A]	Mass (质量) [g]
YY310L48	Ball	48	36.0~54.0	4.5	1600	1276	2169.2	1.83	455.2	69.7	3000
YY310M48	Ball	48	36.0~54.0	5.2	1800	1435	2439.5	2.31	576.2	72.2	3000
YY310H48	Ball	48	36.0~54.0	8.8	2100	1675	2847.5	3.15	784.2	75.6	3000

Air Flow & Static Pressure Curve



Dimensions Drawing



普新惠达

Above specification is only for reference and subject to change without notice.
以上数据仅供参考，如有变更恕不另行通知。

AIR SPACE

直流离心風機

www.pudaelec.com