

AUTO
RESTAR

PWM

FG

RD
SIGNAL H

RD
SIGNAL L

DC Centrifugal Fan Ø225 x 99 mm

YY225
Series



Impeller : 7 blades, made of GRP UL94 V-0

風輪: 7叶, 玻璃增强热固性塑料, 阻燃等级UL94 V-0

Motor : DC brushless motor

電機: 直流无刷電機

Degree of protection : IP54

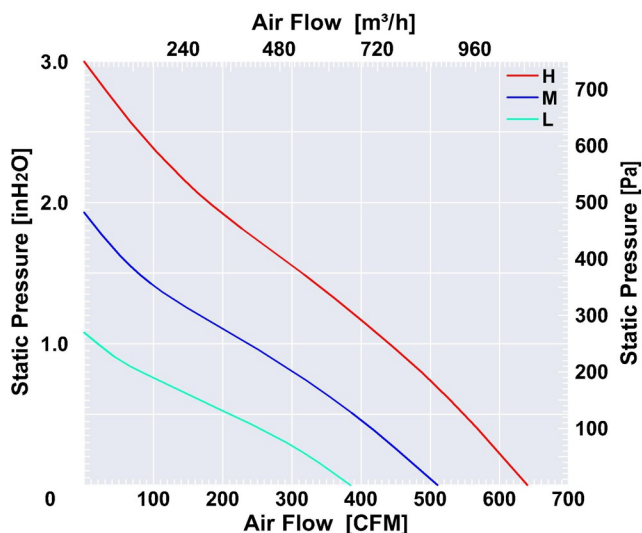
防护等级: IP54

Operating temperature : -25~+70°C

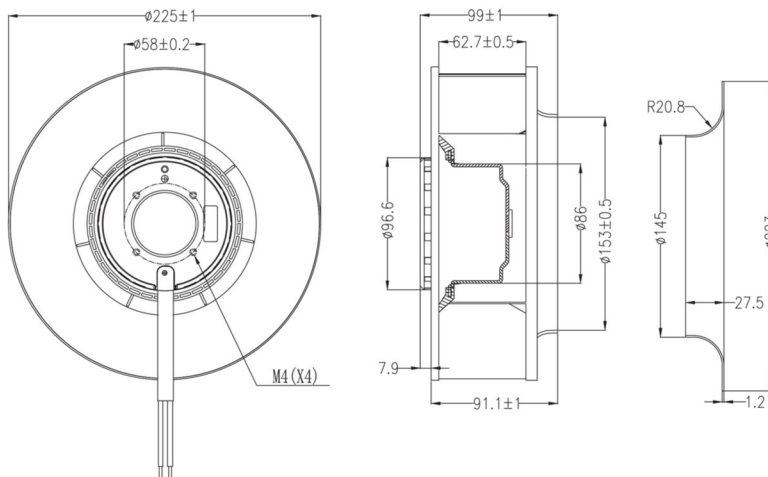
工作温度: -25~+70°C

Model (型号)	Bearing System (轴承)	Rated Voltage (电压) [VDC]	Voltage Range (电压范围) [VDC]	Current (电流) [A]	Speed (转速) [RPM]	Maximum Air Flow (风量) [CFM]	Maximum Air Flow (风量) [m³/h]	Max. Static Pressure (静压) [in-H ₂ O]	Max. Static Pressure (静压) [Pa]	Noise Level (噪音) [dB-A]	Mass (质量) [g]
YY225L24	Ball	24	18.0~26.5	4.2	1500	384.2	653	1.08	269.7	60.5	1500
YY225M24	Ball	24	18.0~26.5	5.5	2000	512.3	871	1.93	479.4	66.7	1500
YY225H24	Ball	24	18.0~26.5	7.3	2500	640.4	1088.7	3.01	750	71.8	1500
YY225L48	Ball	48	36.0~54.0	2.0	1500	384.2	653	1.08	269.7	60.5	1500
YY225M48	Ball	48	36.0~54.0	2.8	2000	512.3	871	1.93	479.4	66.7	1500
YY225H48	Ball	48	36.0~54.0	3.5	2500	640.4	1088.7	3.01	750	71.8	1500

Air Flow & Static Pressure Curve



Dimensions Drawing



普新惠达

Above specification is only for reference and subject to change without notice.
以上数据仅供参考, 如有变更恕不另行通知。

AIR SPACE

直流离心風機

www.pudaelec.com