

AUTO
RESTART

PWM

FG

RD
SIGNAL H

RD
SIGNAL L

DC Centrifugal Fan Ø133 x 80 mm

YY133
Series



Impeller : 7 blades,made of GRP UL94 V-0

風輪 : 7叶,玻璃增强热固性塑料, 阻燃等级UL94 V-0

Motor : DC brushless motor

電機 : 直流无刷電機

Degree of protection : IP54

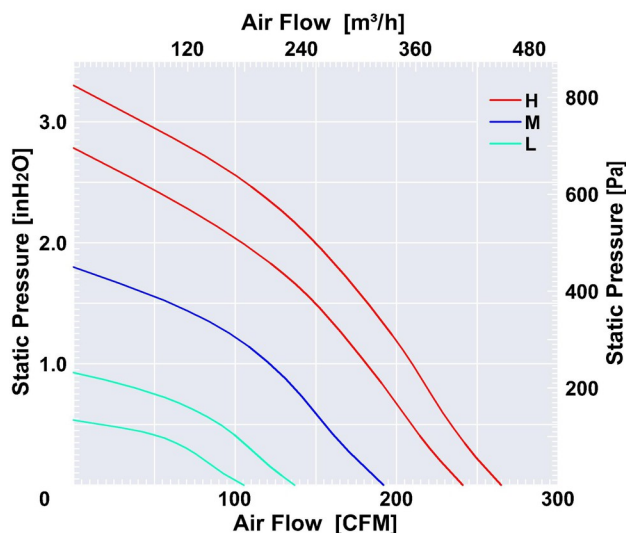
防护等级: IP54

Operating temperature : -25~+70°C

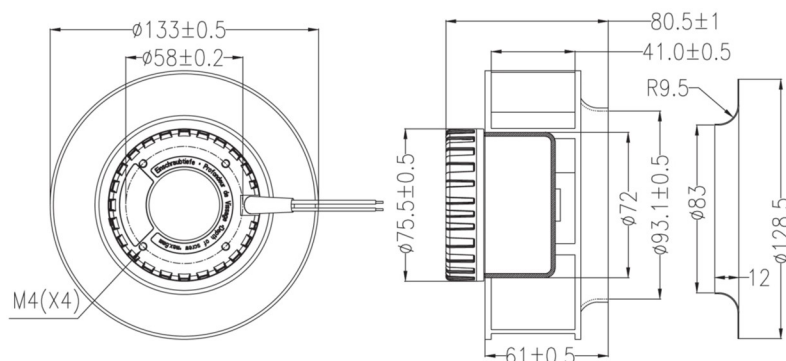
工作温度: -25~+70°C

Model (型号)	Bearing System (轴承)	Rated Voltage (电压) [VDC]	Voltage Range (电压范围) [VDC]	Current (电流) [A]	Speed (转速) [RPM]	Maximum Air Flow (风量) [CFM]	Maximum Air Flow (风量) [m³/h]	Max. Static Pressure (静压) [in-H ₂ O]	Max. Static Pressure (静压) [Pa]	Noise Level (噪音) [dB-A]	Mass (质量) [g]
YY133L24	Ball	24	18.0~26.5	0.90	2500	105.8	180	0.535	133.3	51.5	780
YY133L24	Ball	24	18.0~26.5	1.25	3300	139.7	240	0.93	231.4	57.5	790
YY133M24	Ball	24	18.0~26.5	2.6	4500	194.7	330	1.80	450	64.7	795
YY133H24	Ball	24	18.0~26.5	6.2	6200	264.8	450	3.29	818.6	71.0	800
YY133L48	Ball	48	36.0~54.0	0.52	3300	139.7	240	0.93	231.4	57.5	790
YY133M48	Ball	48	36.0~54.0	1.1	4500	194.7	330	1.80	450	64.7	796
YY133H48	Ball	48	36.0~54.0	2.5	5700	241.5	410	2.78	691.3	69.4	800

Air Flow & Static Pressure Curve



Dimensions Drawing



普新惠达

Above specification is only for reference and subject to change without notice.
以上数据仅供参考, 如有变更恕不另行通知。

AIR SPACE

直流离心風機

www.pudaelec.com