



EC AXIAL FAN

□ 120x120x38 mm

GW12038
[增压型]
Series



Impeller : 11 blades, made of plastic PBT UL94 V-0

扇叶: 11叶, PBT塑料制, 阻燃等级UL94 V-0

Frame : Made of plastic PBT UL94 V-0

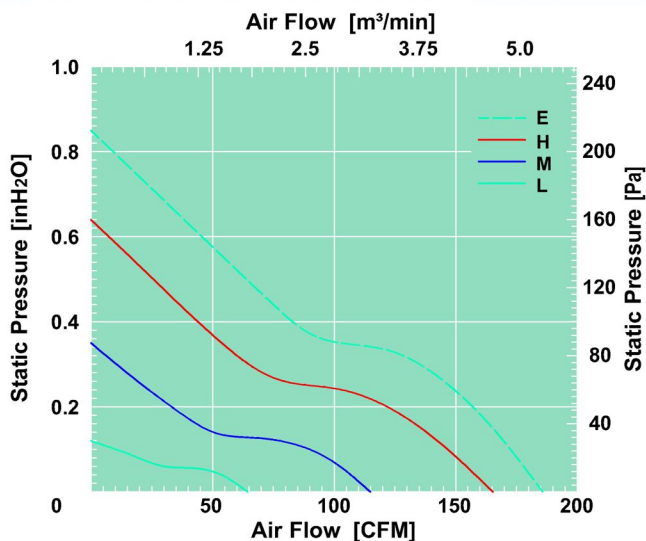
扇框: PBT塑料制, 阻燃等级UL94 V-0

Motor : 4 Poles brushless DC motor

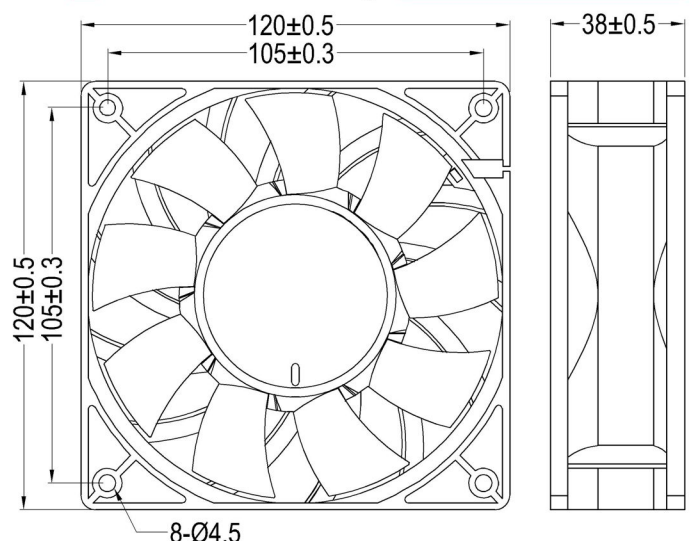
电机: 4极无刷直流电机

Model (型号)	Bearing System (轴承)	Rated Voltage (电压) [VAC]	Voltage Range (电压范围) [VAC]	Freq. (频率) [Hz]	Input Power (功率) [W]	Speed (转速) [RPM]	Maximum Air Flow (风量) [CFM]	Maximum Air Flow (风量) [m³/min]	Max. Static Pressure (静压) [in-H2O]	Max. Static Pressure (静压) [Pa]	Niose Level (噪音) [dB-A]	Mass (质量) [g]
GW1203811L	B/S	110	80~130	50/60	1.8	1500	64.18	1.82	0.12	29.9	29	285
GW1203822L	B/S	220	100~240	50/60	1.8	1500	64.18	1.82	0.12	29.9	29	285
GW1203811M	B/S	110	80~130	50/60	7.9	2500	115.0	3.25	0.35	87.15	39.8	290
GW1203822M	B/S	220	100~240	50/60	7.9	2500	115.0	3.25	0.35	87.15	39.8	290
GW1203811H	B/S	110	80~130	50/60	15.0	3500	166.37	4.71	0.64	159.4	46.5	293
GW1203822H	B/S	220	100~240	50/60	15.0	3500	166.37	4.71	0.64	159.4	46.5	293
GW1203811E	B/S	110	80~130	50/60	30.0	4500	185.95	5.27	0.85	211.65	53.0	296
GW1203822E	B/S	220	100~240	50/60	30.0	4500	185.95	5.27	0.85	211.65	53.0	296

Air Flow & Static Pressure Curve



Dimensions Drawing



Above specification is only for reference and subject to change without notice.

以上数据仅供参考, 如有变更恕不另行通知。