

# GW12025 EC AXIAL FAN Series

## □ 120x120x25 mm



Impeller : 7 blades, made of plastic PBT UL94 V-0

扇 叶: 7叶, PBT塑料制, 阻燃等级UL94 V-0

Frame : Made of plastic PBT UL94 V-0

扇 框: PBT塑料制, 阻燃等级UL94 V-0

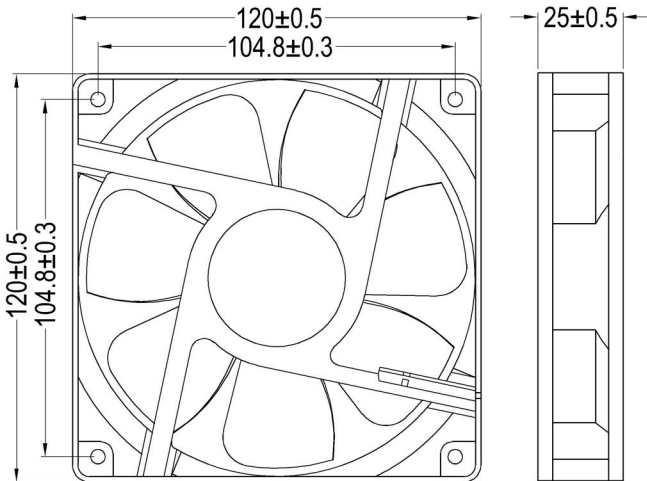
Motor : 4 Poles brushless DC motor

電 機: 4极无刷直流電機

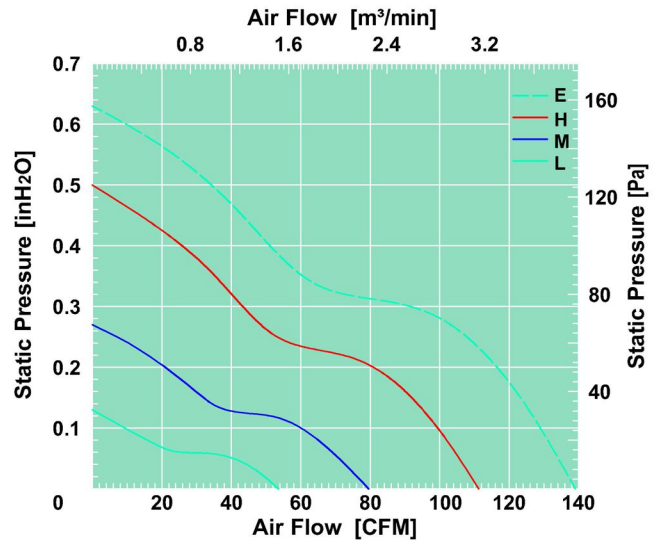


Model (型号)	Bearing System (轴承)	Rated Voltage (电压) [VAC]	Voltage Range (电压范围) [VAC]	Freq. (频率) [Hz]	Input Power (功率) [W]	Speed (转速) [RPM]	Maximum Air Flow (风量) [CFM]	Maximum Air Flow (风量) [m³/min]	Max. Static Pressure (静压) [in-H <sub>2</sub> O]	Max. Static Pressure (静压) [Pa]	Niose Level (噪音) [dB-A]	Mass (质量) [g]
GW1202511L	B/S	110	80~130	50/60	2.5	2000	53.84	1.52	0.13	32.4	35.6	166
GW1202522L	B/S	220	100~240	50/60	2.5	2000	53.84	1.52	0.13	32.4	35.6	166
GW1202511M	B/S	110	80~130	50/60	4.0	3000	79.51	2.25	0.27	67.2	38.5	169
GW1202522M	B/S	220	100~240	50/60	4.0	3000	79.51	2.25	0.27	67.2	38.5	169
GW1202511H	B/S	110	80~130	50/60	7.5	4000	111.31	3.15	0.50	124.5	46	172
GW1202522H	B/S	220	100~240	50/60	7.5	4000	111.31	3.15	0.50	124.5	46	172
GW1202511E	B/S	110	80~130	50/60	15.5	5000	139.13	3.93	0.63	156.9	56	174
GW1202522E	B/S	220	100~240	50/60	15.5	5000	139.13	3.93	0.63	156.9	56	174

### Dimensions Drawing



### Air Flow & Static Pressure Curve



Above specification is only for reference and subject to change without notice.

以上数据仅供参考, 如有变更恕不另行通知。