



EC AXIAL FAN

□ 92 x 92 x 38 mm

GW9238
[增压型]
Series



Impeller : 7 blades, made of plastic PBT UL94 V-0

扇叶: 7叶, PBT塑料制, 阻燃等级UL94 V-0

Frame : Made of plastic PBT UL94 V-0

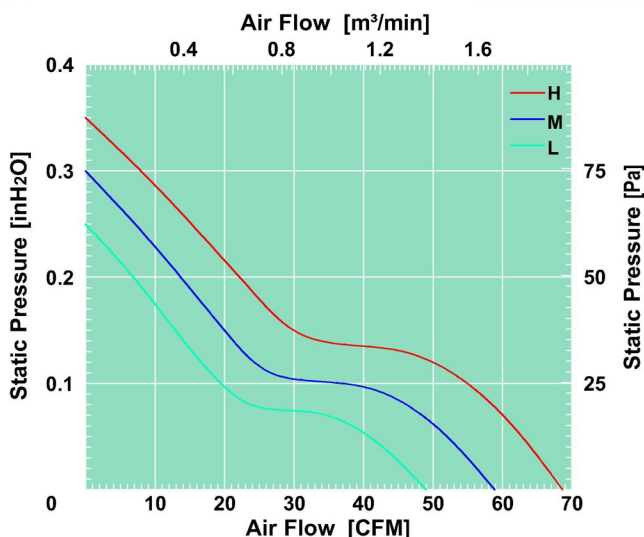
扇框: PBT塑料制, 阻燃等级UL94 V-0

Motor : 4 Poles brushless DC motor

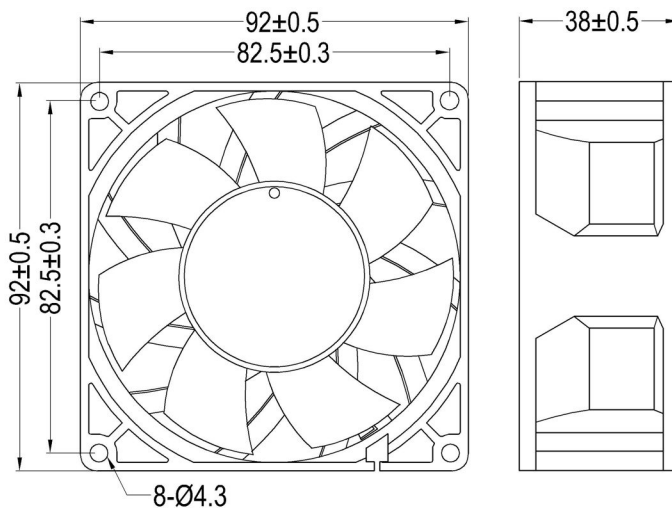
电机: 4极无刷直流电机

Model (型号)	Bearing System (轴承)	Rated Voltage (电压) [VAC]	Voltage Range (电压范围) [VAC]	Freq. (频率) [Hz]	Input Power (功率) [W]	Speed (转速) [RPM]	Maximum Air Flow (风量) [CFM]	Maximum Air Flow (风量) [m³/min]	Max. Static Pressure (静压) [in-H ₂ O]	Max. Static Pressure (静压) [Pa]	Niose Level (噪音) [dB-A]	Mass (质量) [g]
GW923811L	B/S	110	80~130	50/60	3.9	2500	49.05	1.39	0.25	62.25	28.9	197
GW923822L	B/S	220	100~240	50/60	3.9	2500	49.05	1.39	0.25	62.25	28.9	197
GW923811M	B/S	110	80~130	50/60	4.7	3000	58.86	1.66	0.30	74.7	34.7	200
GW923822M	B/S	220	100~240	50/60	4.7	3000	58.86	1.66	0.30	74.7	34.7	200
GW923811H	B/S	110	80~130	50/60	5.5	3500	68.67	1.94	0.35	87.15	40.5	202
GW923822H	B/S	220	100~240	50/60	5.5	3500	68.67	1.94	0.35	87.15	40.5	202

Air Flow & Static Pressure Curve



Dimensions Drawing



Above specification is only for reference and subject to change without notice.

以上数据仅供参考, 如有变更恕不另行通知。