



AIR SPACE

EC 軸流風扇

www.pudaelec.com

GW9225 Series

EC AXIAL FAN

□ 92 x 92 x 25 mm



Impeller : 7 blades, made of plastic PBT UL94 V-0

扇叶: 7叶, PBT塑料制, 阻燃等级UL94 V-0

Frame : Made of plastic PBT UL94 V-0

扇框: PBT塑料制, 阻燃等级UL94 V-0

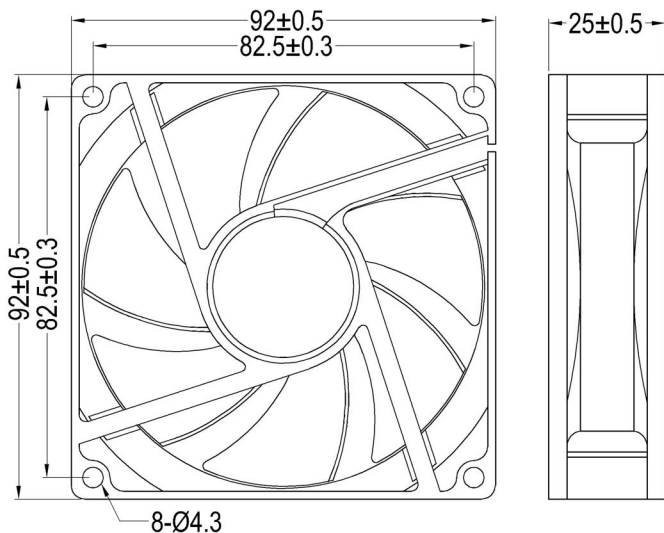
Motor : 4 Poles brushless DC motor

電機: 4极无刷直流電機

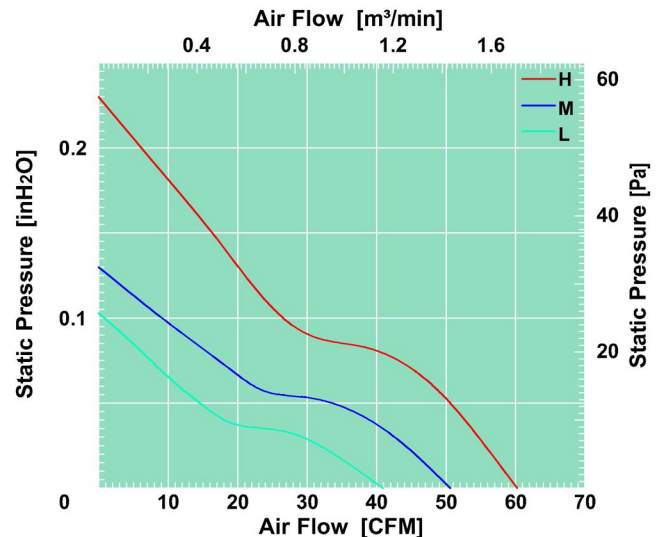


Model (型号)	Bearing System (轴承)	Rated Voltage (电压) [VAC]	Voltage Range (电压范围) [VAC]	Freq. (频率) [Hz]	Input Power (功率) [W]	Speed (转速) [RPM]	Maximum Air Flow (风量) [CFM]	Maximum Air Flow (风量) [m³/min]	Max. Static Pressure (静压) [in-H ₂ O]	Max. Static Pressure (静压) [Pa]	Niose Level (噪音) [dB-A]	Mass (质量) [g]
GW922511L	B/S	110	80~130	50/60	2.64	2100	40.95	1.16	0.106	26.4	27.5	84
GW922522L	B/S	220	100~240	50/60	2.64	2100	40.95	1.16	0.106	26.4	27.5	84
GW922511M	B/S	110	80~130	50/60	3.36	2600	50.85	1.44	0.13	32.4	33.5	86
GW922522M	B/S	220	100~240	50/60	3.36	2600	50.85	1.44	0.13	32.4	33.5	86
GW922511H	B/S	110	80~130	50/60	5.04	3500	60.25	1.71	0.23	57.3	40.8	87
GW922522H	B/S	220	100~240	50/60	5.04	3500	60.25	1.71	0.23	57.3	40.8	87

Dimensions Drawing



Air Flow & Static Pressure Curve



Above specification is only for reference and subject to change without notice.

以上数据仅供参考, 如有变更恕不另行通知。