



# EC AXIAL FAN

## □ 80 x 80 x 38 mm

### GW8038

[增压型]

### Series



Impeller : 7 blades, made of plastic PBT UL94 V-0

扇叶: 7叶, PBT塑料制, 阻燃等级UL94 V-0

Frame : Made of plastic PBT UL94 V-0

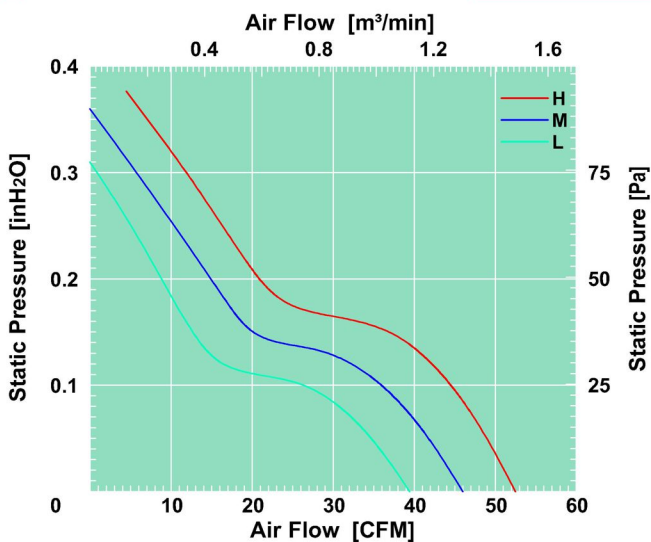
扇框: PBT塑料制, 阻燃等级UL94 V-0

Motor : 4 Poles brushless DC motor

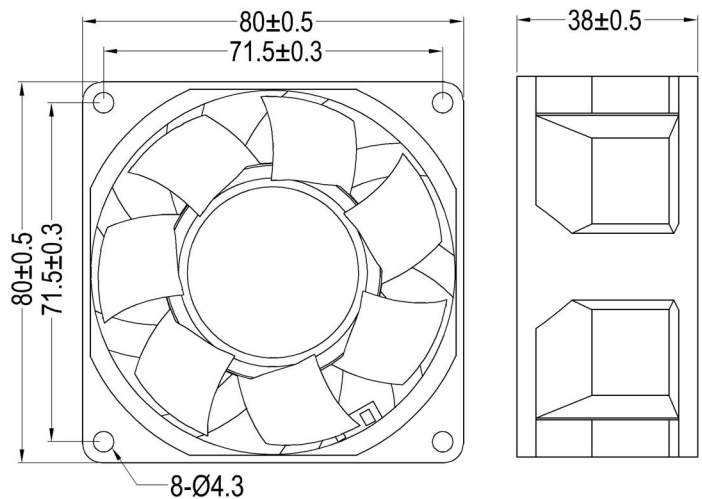
电机: 4极无刷直流电机

Model (型号)	Bearing System (轴承)	Rated Voltage (电压) [VAC]	Voltage Range (电压范围) [VAC]	Freq. (频率) [Hz]	Input Power (功率) [W]	Speed (转速) [RPM]	Maximum Air Flow (风量) [CFM]	Maximum Air Flow (风量) [m³/min]	Max. Static Pressure (静压) [in-H <sub>2</sub> O]	Max. Static Pressure (静压) [Pa]	Niose Level (噪音) [dB-A]	Mass (质量) [g]
GW803811L	B/S	110	80~130	50/60	3.6	3000	39.4	1.002	0.31	77.2	31.5	174
GW803822L	B/S	220	100~240	50/60	3.6	3000	39.4	1.002	0.31	77.2	31.5	174
GW803811M	B/S	110	80~130	50/60	4.2	3500	46.0	1.30	0.36	89.6	36	177
GW803822M	B/S	220	100~240	50/60	4.2	3500	46.0	1.30	0.36	89.6	36	177
GW803811H	B/S	110	80~130	50/60	4.8	4000	52.5	1.49	0.41	102.5	42	180
GW803822H	B/S	220	100~240	50/60	4.8	4000	52.5	1.49	0.41	102.5	42	180

### Air Flow & Static Pressure Curve



### Dimensions Drawing



Above specification is only for reference and subject to change without notice.

以上数据仅供参考, 如有变更恕不另行通知。