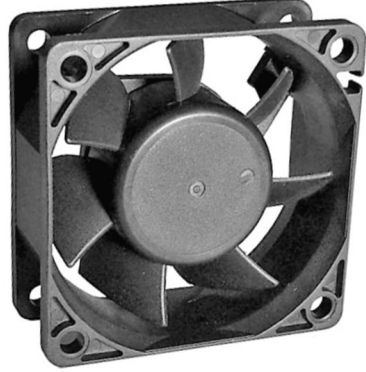


# GW6025 Series EC AXIAL FAN

□ 60 x 60 x 25 mm

- AUTO (RESTAR)
- PWM
- FG
- RD SIGNAL H
- RD SIGNAL L



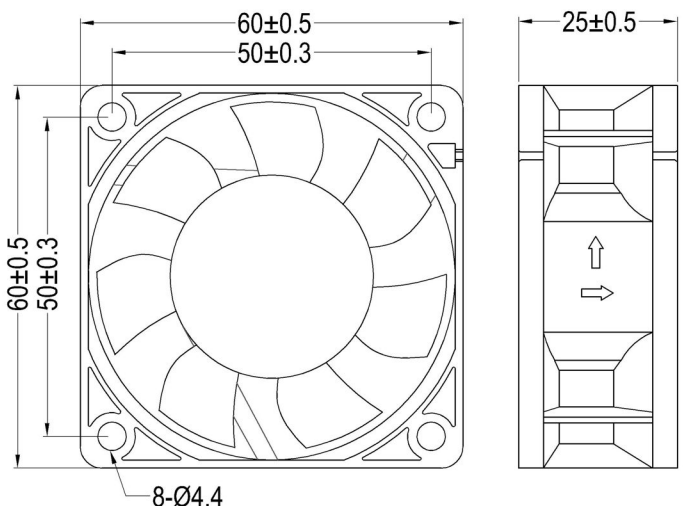
Impeller : 7 blades, made of plastic PBT UL94 V-0  
 扇 叶: 7叶, PBT塑料制, 阻燃等级UL94 V-0

Frame : Made of plastic PBT UL94 V-0  
 扇 框: PBT塑料制, 阻燃等级UL94 V-0

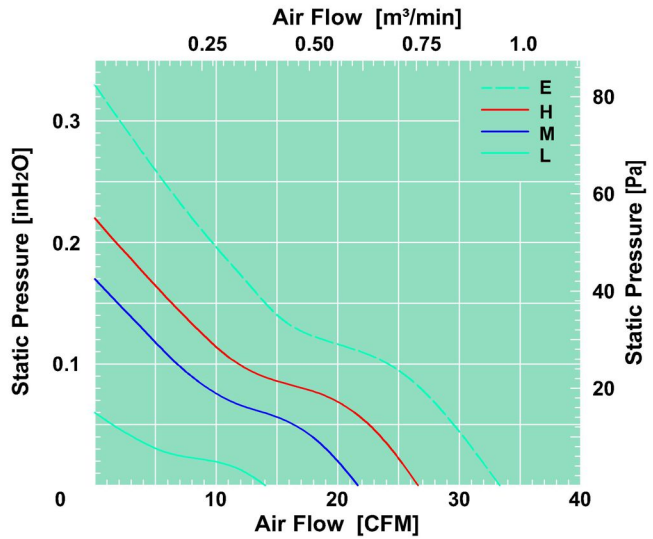
Motor : 4 Poles brushless DC motor  
 電 機: 4极无刷直流電機

Model (型号)	Bearing System (轴承)	Rated Voltage (电压) [VAC]	Voltage Range (电压范围) [VAC]	Freq. (频率) [Hz]	Input Power (功率) [W]	Speed (转速) [RPM]	Maximum Air Flow (风量) [CFM]	Maximum Air Flow (风量) [m³/min]	Max. Static Pressure (静压) [in-H2O]	Max. Static Pressure (静压) [Pa]	Niose Level (噪音) [dB-A]	Mass (质量) [g]
GW602511L	B/S	110	80~130	50/60	1.32	3000	14.1	0.41	0.06	15	26.5	54
GW602522L	B/S	220	100~240	50/60	1.32	3000	14.1	0.41	0.06	15	26.5	54
GW602511M	B/S	110	80~130	50/60	2.4	4000	21.63	0.61	0.17	42.3	33	55
GW602522M	B/S	220	100~240	50/60	2.4	4000	21.63	0.61	0.17	42.3	33	55
GW602511H	B/S	110	80~130	50/60	3.24	4800	26.65	0.75	0.22	54.8	36	58
GW602522H	B/S	220	100~240	50/60	3.24	4800	26.65	0.75	0.22	54.8	36	58
GW602511E	B/S	110	80~130	50/60	4.32	6000	33.26	0.94	0.33	82.2	40	63
GW602522E	B/S	220	100~240	50/60	4.32	6000	33.26	0.94	0.33	82.2	40	63

### Dimensions Drawing



### Air Flow & Static Pressure Curve



Above specification is only for reference and subject to change without notice.  
 以上数据仅供参考, 如有变更恕不另行通知。