

9270
[外转子]
Series

DC/EC MOTOR
[External Rotor]



Mode of Operation : S1(Continuous Operation)

工作模式: S1(连续运转)

Degree of Protection : IP42

保护程度: IP42

Insulation Class : B

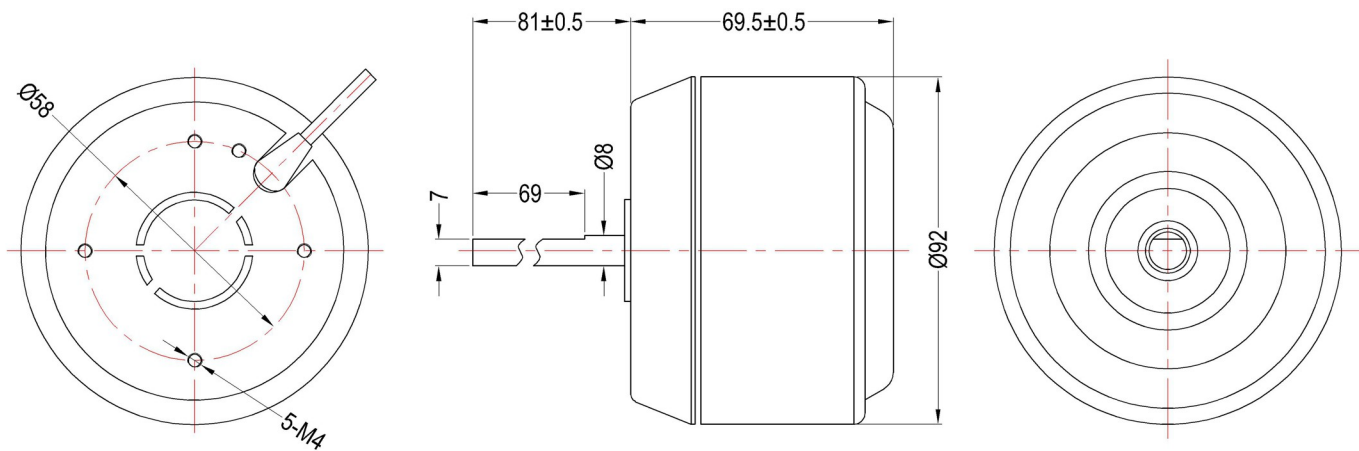
绝缘等级: B

Features : PG , Auto-Restart , SS , Vc(0-5VDC) , PWM

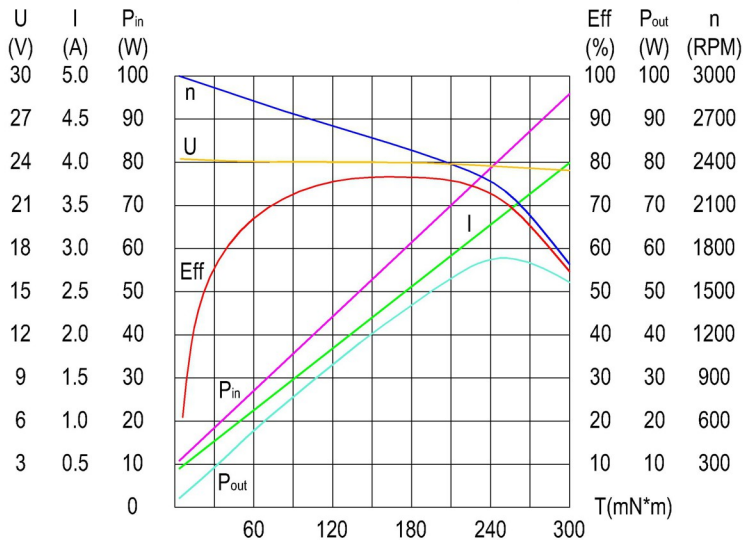
功能: 转速脉冲输出, 自动重启, 软起动,
控制输入电压 (0-5VDC) , 脉宽调制控制。

Model (型号)	Bearing System (轴承)	Rated Voltage (电压) [V]	Voltage Range (电压范围) [V]	Free Load 空载		At Max. Efficiency 最大效率				At Max. Output Power 最大功率	Mass (质量) [g]
				Current (电流) [A]	Speed (转速) [RPM]	Current (电流) [A]	Output Power (输出功率) [W]	Speed (转速) [RPM]	Torque (扭矩) [mN*m]	Torque (扭矩) [mN*m]	
TD927024H	BALL	24	20---26.4	0.45	3000	2.5	45.8	2500	175	250	1000
TE927002H	BALL	1~220	85---260	0.15	3000	0.3	45.8	2500	175	250	1000

Dimensions Drawing [mm]



Motor Characteristics



Above specification is only for reference and subject to change without notice.

以上数据仅供参考, 如有变更恕不另行通知。