

AUTO
RESTAR

PWM

FG

RD
SIGNAL H

RD
SIGNAL L

EC Centrifugal Fan Ø220 x 97 mm

YE220 Series



Impeller : 11 blades,made of GRP UL94 V-0

風 輪: 11叶,玻璃增强热固性塑料, 阻燃等级UL94 V-0

Motor : DC brushless motor

電 機: 直流无刷電機

Degree of protection : IP54

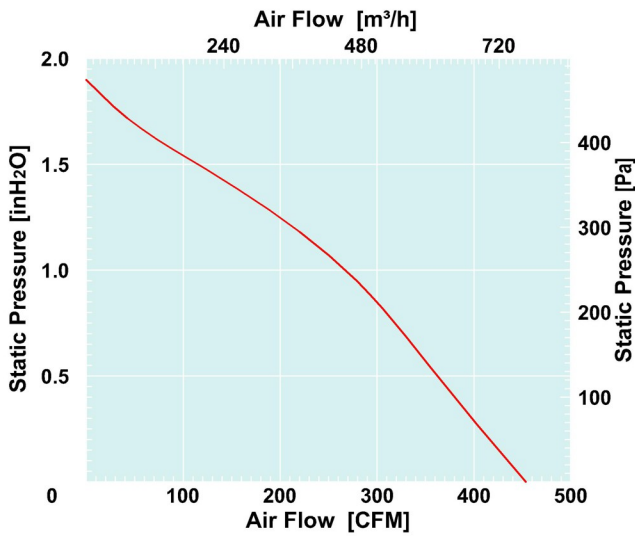
防护等级: IP54

Operating temperature : -25~+65°C

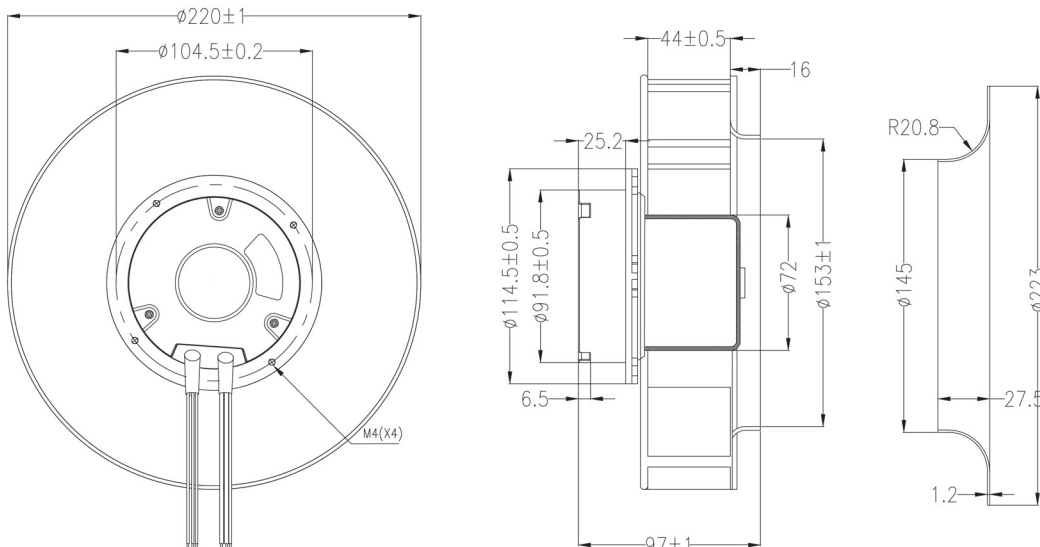
工作温度: -25~+65°C

Model (型号)	Bearing System (轴承)	Rated Voltage (电压) [VAC]	Voltage Range (电压范围) [VAC]	Freq. (频率) [Hz]	Input Power (功率) [W]	Speed (转速) [RPM]	Maximum Air Flow (风量) [CFM]	Maximum Air Flow (风量) [m³/h]	Max. Static Pressure (静压) [inH ₂ O]	Max. Static Pressure (静压) [Pa]	Noise Level (噪音) [dB-A]	Mass (质量) [g]
YE220H110	Ball	1~115	80~135	50/60	85	2800	453.4	771	1.9	473.5	71	1450
YE220H220	Ball	1~230	180~265	50/60	85	2800	453.4	771	1.9	473.5	71	1450

Air Flow and Static Pressure



Dimensions Drawing



普新惠达

Above specification is only for reference and subject to change without notice.
以上数据仅供参考, 如有变更恕不另行通知。

AIR SPACE

EC
离心
風
機

www.pudaelec.com