

YE225
Series

EC Centrifugal Fan
Ø225 x 117 mm

AUTO
RESTAR

PWM

FG

RD
SIGNAL H

RD
SIGNAL L

Impeller : 7 blades,made of GRP UL94 V-0
風輪: 7叶,玻璃增强热固性塑料,阻燃等级UL94 V-0

PLUS
MOTOR⁺

Motor : DC brushless motor

電機: 直流无刷電機

Degree of protection : IP54

防护等级: IP54

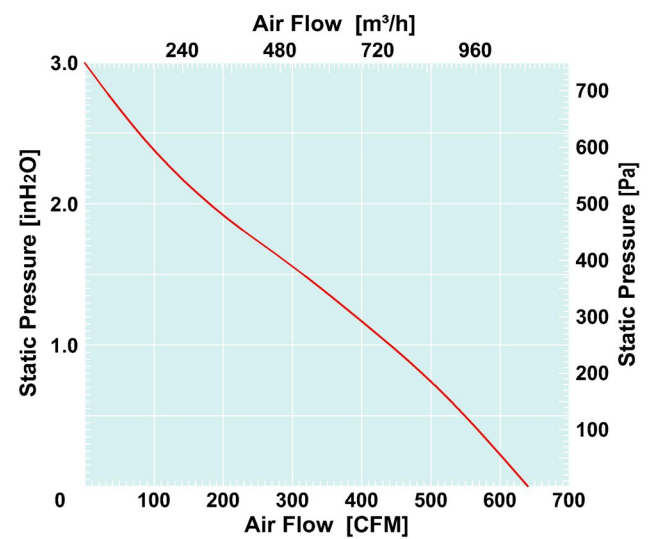
Operating temperature : -25~+65°C

工作温度: -25~+65°C

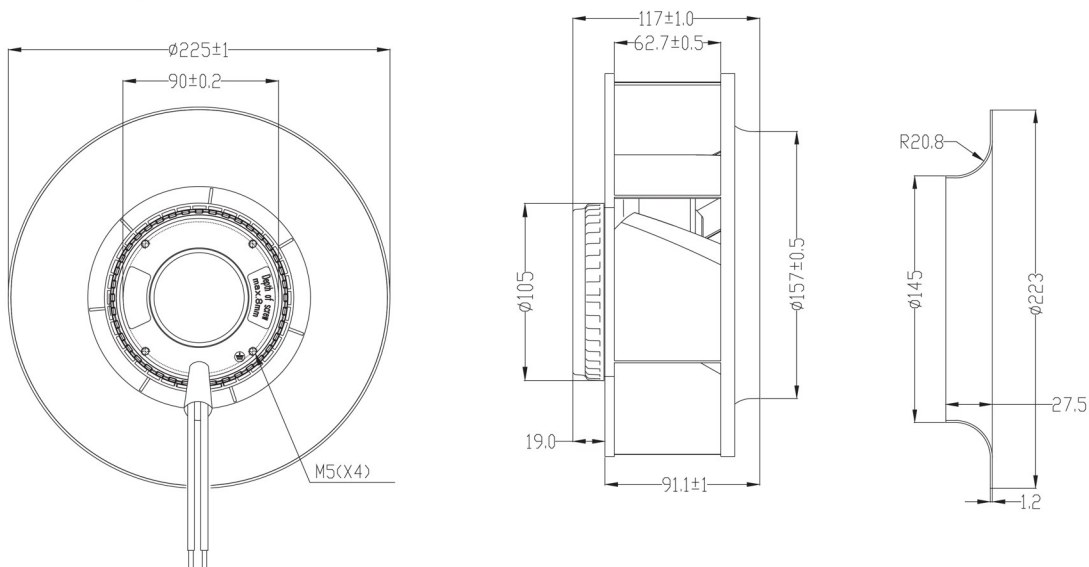


Model (型号)	Bearing System (轴承)	Rated Voltage (电压) [VAC]	Voltage Range (电压范围) [VAC]	Freq. (频率) [Hz]	Input Power (功率) [W]	Speed (转速) [RPM]	Maximum Air Flow (风量) [CFM]	Maximum Air Flow (风量) [m³/h]	Max. Static Pressure (静压) [inH ₂ O]	Max. Static Pressure (静压) [Pa]	Niose Level (噪音) [dB-A]	Mass (质量) [g]
YE225H110	Ball	1~115	80~135	50/60	108	2500	640.4	1088.7	3.0	750	71.8	1500
YE225H220	Ball	1~230	180~265	50/60	108	2500	640.4	1088.7	3.0	750	71.8	1500

Air Flow and Static Pressure



Dimensions Drawing



Above specification is only for reference and subject to change without notice.
以上数据仅供参考, 如有变更恕不另行通知。

普新惠达

AIR SPACE

EC
离心風機

www.pudaelec.com