

**GW9238**  
[增压型]  
Series

**DC AXIAL FAN**  
□ 92 x 92 x 38 mm



Impeller : 7 blades, made of plastic PBT UL94 V-0

扇 叶: 7叶, PBT塑料制, 阻燃等级UL94 V-0

Frame : Made of plastic PBT UL94 V-0

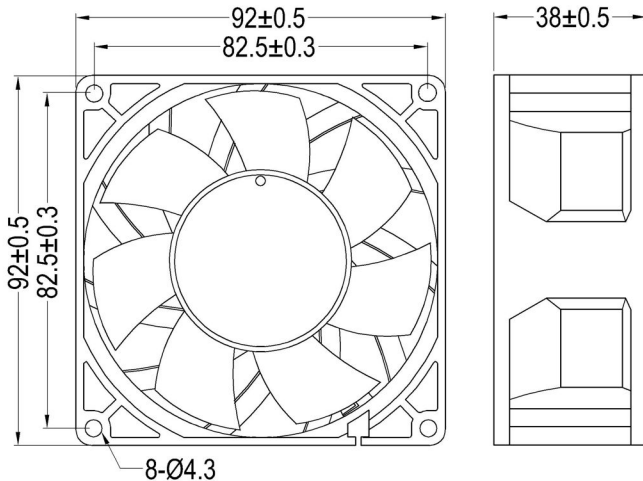
扇 框: PBT塑料制, 阻燃等级UL94 V-0

Motor : 4 poles brushless DC motor

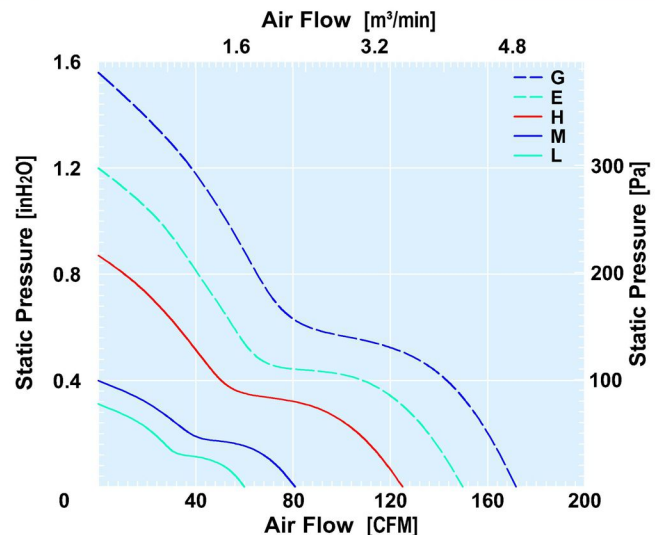
電 機: 4极无刷直流電機

Model (型号)	Bearing System (轴承)	Rated Voltage (电压) [V]	Voltage Range (电压范围) [V]	Current (电流) [A]	Speed (转速) [RPM]	Maximum Air Flow (风量) [CFM]	Maximum Air Flow (风量) [m³/min]	Max. Static Pressure (静压) [inH <sub>2</sub> O]	Max. Static Pressure (静压) [Pa]	Niose Level (噪音) [dB-A]	Mass (质量) [g]
GW923812L	B/S	12	6.0~13.7	0.20	3000	60.06	1.70	0.31	77.2	27.8	197
GW923824L	B/S	24	18.0~26.7	0.10	3000	60.06	1.70	0.31	77.2	27.8	197
GW923848L	B/S	48	36.0~55.0	0.05	3000	60.06	1.70	0.31	77.2	27.8	197
GW923812M	B/S	12	6.0~13.7	0.34	4000	80.74	2.28	0.40	99.6	37.0	200
GW923824M	B/S	24	18.0~26.7	0.16	4000	80.74	2.28	0.40	99.6	37.0	200
GW923848M	B/S	48	36.0~55.0	0.08	4000	80.74	2.28	0.40	99.6	37.0	200
GW923812H	B/S	12	6.0~13.7	1.0	6000	125.3	3.56	0.87	216.6	55.6	202
GW923824H	B/S	24	18.0~26.7	0.48	6000	125.3	3.56	0.87	216.6	55.6	202
GW923848H	B/S	48	36.0~55.0	0.23	6000	125.3	3.56	0.87	216.6	55.6	202
GW923812E	B/S	12	6.0~13.7	1.27	7000	149.4	4.23	1.20	298.8	64.8	205
GW923824E	B/S	24	18.0~26.7	0.60	7000	149.4	4.23	1.20	298.8	64.8	205
GW923848E	B/S	48	36.0~55.0	0.30	7000	149.4	4.23	1.20	298.8	64.8	205
GW923812G	B/S	12	6.0~13.8	2.08	8000	171.6	4.86	1.56	388.4	74.0	206
GW923824G	B/S	24	18.0~26.8	1.00	8000	171.6	4.86	1.56	388.4	74.0	206
GW923848G	B/S	48	36.0~56.0	0.47	8000	171.6	4.86	1.56	388.4	74.0	206

Dimensions Drawing



Air Flow & Static Pressure Curve



Above specification is only for reference and subject to change without notice.  
以上数据仅供参考, 如有变更恕不另行通知。