



# DC AXIAL FAN

## □ 92 x 92 x 38 mm

### GW9238

[增压型]

### Series



Impeller : 7 blades, made of plastic PBT UL94 V-0

扇叶: 7叶, PBT塑料制, 阻燃等级UL94 V-0

Frame : Made of plastic PBT UL94 V-0

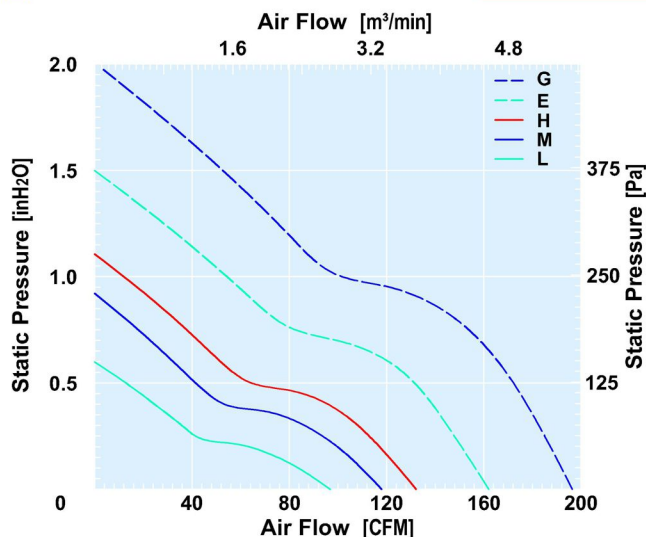
扇框: PBT塑料制, 阻燃等级UL94 V-0

Motor : 4 poles brushless DC motor

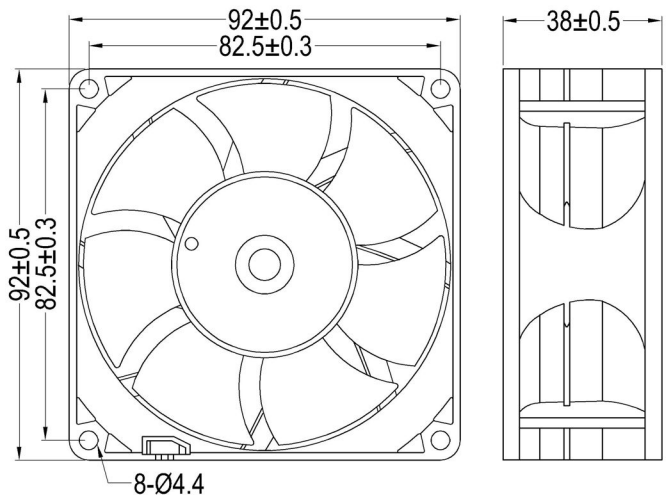
电机: 4极无刷直流电机

Model (型号)	Bearing System (轴承)	Rated Voltage (电压) [V]	Voltage Range (电压范围) [V]	Current (电流) [A]	Speed (转速) [RPM]	Maximum Air Flow (风量) [CFM]	Maximum Air Flow (风量) [m³/min]	Max. Static Pressure (静压) [inH <sub>2</sub> O]	Max. Static Pressure (静压) [Pa]	Noise Level (噪音) [dB-A]	Mass (质量) [g]
GW923812L	B/S	12	6.0~13.5	0.45	5000	97.1	2.75	0.598	149.1	50.9	197
GW923824L	B/S	24	18.0~26.5	0.23	5000	97.1	2.75	0.598	149.1	50.9	197
GW923848L	B/S	48	36.0~54.0	0.12	5000	97.1	2.75	0.598	149.1	50.9	197
GW923812M	B/S	12	6.0~13.5	0.75	6000	118.0	3.34	0.922	229.6	54.3	200
GW923824M	B/S	24	18.0~26.5	0.38	6000	118.0	3.34	0.922	229.6	54.3	200
GW923848M	B/S	48	36.0~54.0	0.19	6000	118.0	3.34	0.922	229.6	54.3	200
GW923812H	B/S	12	6.0~13.5	1.15	7000	132.2	3.74	1.11	275.7	57.5	202
GW923824H	B/S	24	18.0~26.5	0.58	7000	132.2	3.74	1.11	275.7	57.5	202
GW923848H	B/S	48	36.0~54.0	0.29	7000	132.2	3.74	1.11	275.7	57.5	202
GW923812E	B/S	12	6.0~13.5	1.9	8500	162.3	4.60	1.50	374.7	61.7	205
GW923824E	B/S	24	18.0~26.5	1.0	8500	162.3	4.60	1.50	374.7	61.7	205
GW923848E	B/S	48	36.0~54.0	0.5	8500	162.3	4.60	1.50	374.7	61.7	205
GW923812G	B/S	12	6.0~13.5	3.2	10000	196.5	5.56	2.06	514.0	66.3	206
GW923824G	B/S	24	18.0~26.5	1.6	10000	196.5	5.56	2.06	514.0	66.3	206
GW923848G	B/S	48	36.0~54.0	0.8	10000	196.5	5.56	2.06	514.0	66.3	206

### Air Flow & Static Pressure Curve



### Dimensions Drawing



Above specification is only for reference and subject to change without notice.

以上数据仅供参考, 如有变更恕不另行通知。