

GW9232 DC AXIAL FAN Series

□ 92 x 92 x 32 mm

- AUTO (RESTAR)
- PWM
- FG
- RD SIGNAL H
- RD SIGNAL L



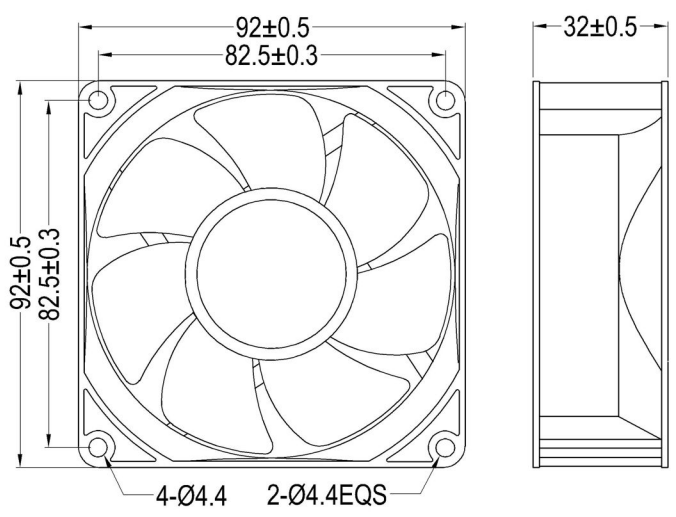
Impeller : 7 blades, made of plastic PBT UL94 V-0
 扇 叶: 7叶, PBT塑料制, 阻燃等级UL94 V-0

Frame : Made of plastic PBT UL94 V-0
 扇 框: PBT塑料制, 阻燃等级UL94 V-0

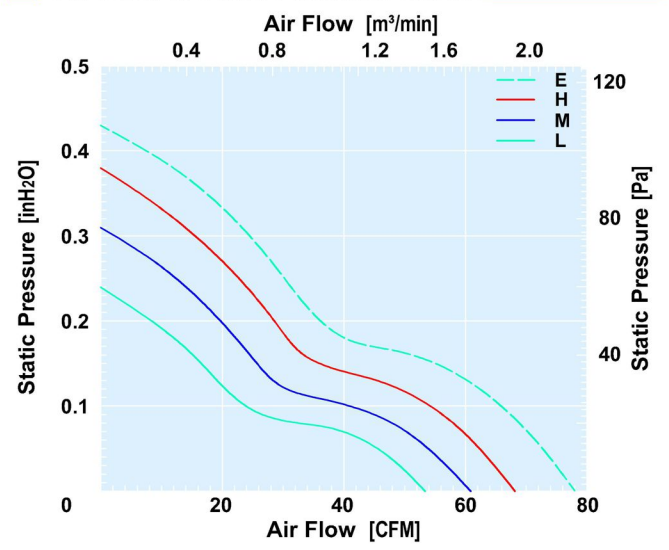
Motor : 4 poles brushless DC motor
 電 機: 4极无刷直流電機

| Model (型号) | Bearing System (轴承) | Rated Voltage (电压) [V] | Voltage Range (电压范围) [V] | Current (电流) [A] | Speed (转速) [RPM] | Maximum Air Flow (风量) [CFM] | Maximum Air Flow (风量) [m³/min] | Max. Static Pressure (静压) [inH ₂ O] | Max. Static Pressure (静压) [Pa] | Niose Level (噪音) [dB-A] | Mass (质量) [g] |
|---------------|------------------------|------------------------------|--------------------------------|------------------------|------------------------|-----------------------------------|--------------------------------------|--|--------------------------------------|-------------------------------|---------------------|
| GW923212L | B/S | 12 | 6.0~13.5 | 0.35 | 3000 | 53.4 | 1.51 | 0.24 | 59.8 | 37.5 | 190 |
| GW923224L | B/S | 24 | 18.0~26.5 | 0.18 | 3000 | 53.4 | 1.51 | 0.24 | 59.8 | 37.5 | 190 |
| GW923248L | B/S | 48 | 36.0~54.0 | 0.11 | 3000 | 53.4 | 1.51 | 0.24 | 59.8 | 37.5 | 190 |
| GW923212M | B/S | 12 | 6.0~13.5 | 0.49 | 3500 | 60.8 | 1.72 | 0.31 | 77.2 | 40.5 | 194 |
| GW923224M | B/S | 24 | 18.0~26.5 | 0.25 | 3500 | 60.8 | 1.72 | 0.31 | 77.2 | 40.5 | 194 |
| GW923248M | B/S | 48 | 36.0~54.0 | 0.13 | 3500 | 60.8 | 1.72 | 0.31 | 77.2 | 40.5 | 194 |
| GW923212H | B/S | 12 | 6.0~13.5 | 0.68 | 4000 | 68.2 | 1.93 | 0.38 | 94.6 | 43.6 | 196 |
| GW923224H | B/S | 24 | 18.0~26.5 | 0.37 | 4000 | 68.2 | 1.93 | 0.38 | 94.6 | 43.6 | 196 |
| GW923248H | B/S | 48 | 36.0~54.0 | 0.18 | 4000 | 68.2 | 1.93 | 0.38 | 94.6 | 43.6 | 196 |
| GW923212E | B/S | 12 | 6.0~13.5 | 0.93 | 4500 | 78.1 | 2.21 | 0.43 | 107.1 | 46.2 | 200 |
| GW923224E | B/S | 24 | 18.0~26.5 | 0.48 | 4500 | 78.1 | 2.21 | 0.43 | 107.1 | 46.2 | 200 |
| GW923248E | B/S | 48 | 36.0~54.0 | 0.23 | 4500 | 78.1 | 2.21 | 0.43 | 107.1 | 46.2 | 200 |

Dimensions Drawing



Air Flow & Static Pressure Curve



Above specification is only for reference and subject to change without notice.
 以上数据仅供参考, 如有变更恕不另行通知。