



DC AXIAL FAN

□ 92 x 92 x 25 mm

GW9225

[增压型]

Series



Impeller : 11 blades, made of plastic PBT UL94 V-0

扇叶: 11叶, PBT塑料制, 阻燃等级UL94 V-0

Frame : Made of plastic PBT UL94 V-0

扇框: PBT塑料制, 阻燃等级UL94 V-0

Motor : 4 poles brushless DC motor

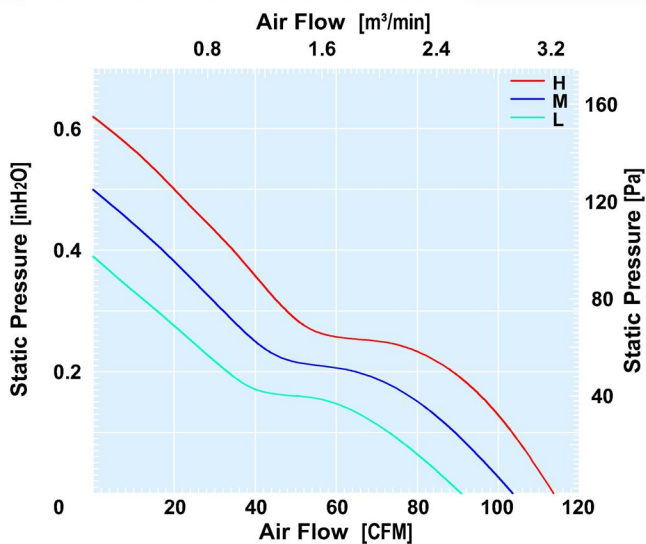
电机: 4极无刷直流电机

Model (型号)	Bearing System (轴承)	Rated Voltage (电压) [V]	Voltage Range (电压范围) [V]	Current (电流) [A]	Speed (转速) [RPM]	Maximum Air Flow (风量) [CFM]	Maximum Air Flow (风量) [m³/min]	Max. Static Pressure (静压) [inH ₂ O]	Max. Static Pressure (静压) [Pa]	Niose Level (噪音) [dB-A]	Mass (质量) [g]
GW922512L	B/S	12	6.0~13.5	0.40	4000	91.0	2.57	0.39	97.1	48.5	102
GW922524L	B/S	24	18.0~26.5	0.25	4000	91.0	2.57	0.39	97.1	48.5	102
GW922548L	B/S	48	36.0~54.0	0.13	4000	91.0	2.57	0.39	97.1	48.5	102
GW922512M	B/S	12	6.0~13.5	0.55	4500	103.7	2.94	0.50	124.5	52.0	105
GW922524M	B/S	24	18.0~26.5	0.32	4500	103.7	2.94	0.50	124.5	52.0	105
GW922548M	B/S	48	36.0~54.0	0.17	4500	103.7	2.94	0.50	124.5	52.0	105
GW922512H	B/S	12	6.0~13.5	0.75	5000	115.4	3.27	0.62	154.4	54.8	105
GW922524H	B/S	24	18.0~26.5	0.40	5000	115.4	3.27	0.62	154.4	54.8	105
GW922548H	B/S	48	36.0~54.0	0.20	5000	115.4	3.27	0.62	154.4	54.8	105

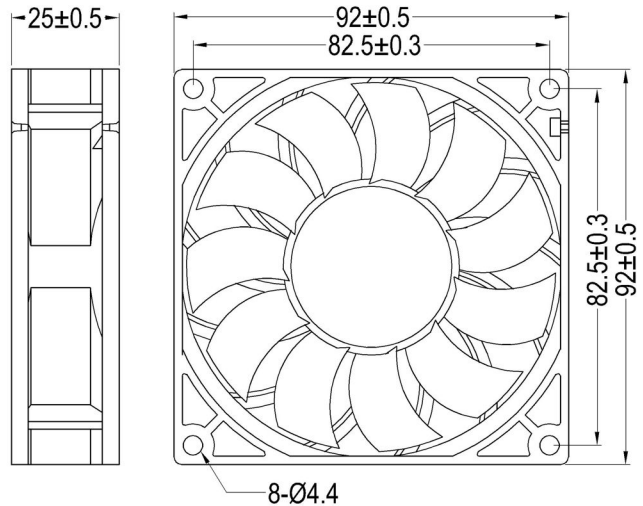


直流轴流风扇

Air Flow & Static Pressure Curve



Dimensions Drawing



Above specification is only for reference and subject to change without notice.

以上数据仅供参考, 如有变更恕不另行通知。

www.pudaelec.com