

GW9225 DC AXIAL FAN Series

□ 92 x 92 x 25 mm

- AUTO (RESTAR)
- PWM
- FG
- RD SIGNAL H
- RD SIGNAL L

Impeller : 7 blades, made of plastic PBT UL94 V-0
 扇 叶: 7叶, PBT塑料制, 阻燃等级UL94 V-0

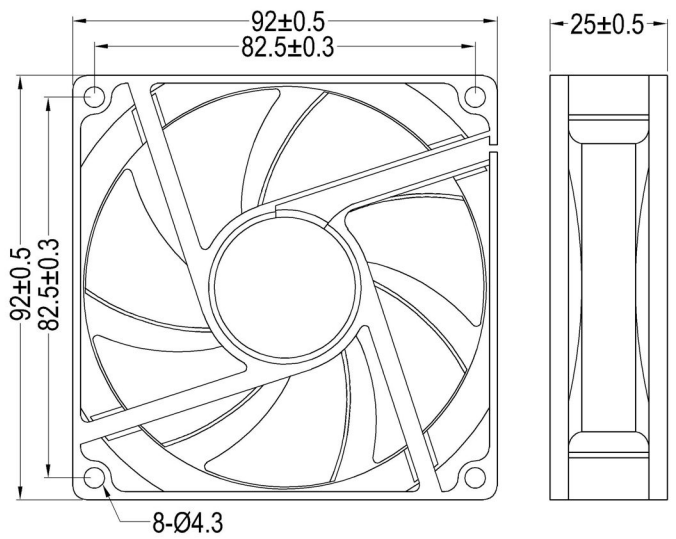
Frame : Made of plastic PBT UL94 V-0
 扇 框: PBT塑料制, 阻燃等级UL94 V-0

Motor : 4 poles brushless DC motor
 電 機: 4极无刷直流電機

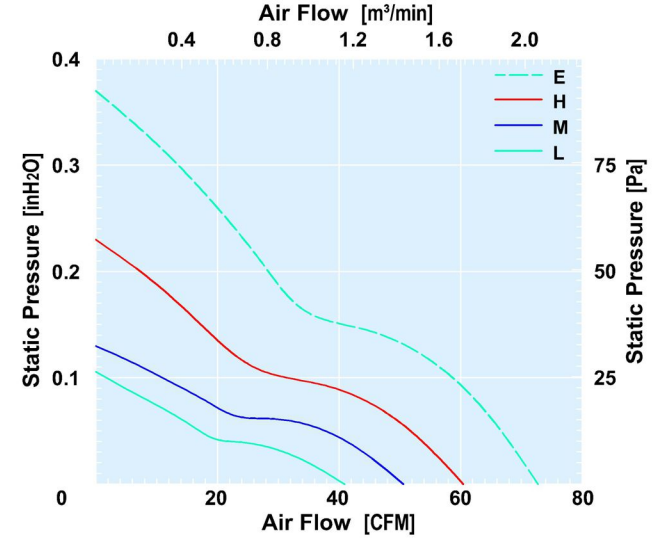


Model (型号)	Bearing System (轴承)	Rated Voltage (电压) [V]	Voltage Range (电压范围) [V]	Current (电流) [A]	Speed (转速) [RPM]	Maximum Air Flow (风量) [CFM]	Maximum Air Flow (风量) [m³/min]	Max. Static Pressure (静压) [inH ₂ O]	Max. Static Pressure (静压) [Pa]	Niose Level (噪音) [dB-A]	Mass (质量) [g]
GW922512L	B/S	12	6.0~13.5	0.18	2000	40.91	1.16	0.11	27.4	27.5	82
GW922524L	B/S	24	18.0~26.5	0.11	2000	40.91	1.16	0.11	27.4	27.5	82
GW922512M	B/S	12	6.0~13.5	0.23	2500	50.66	1.43	0.13	52.3	33.6	85
GW922524M	B/S	24	18.0~26.5	0.14	2500	50.66	1.43	0.13	52.3	33.6	85
GW922548M	B/S	48	36.0~54.0	0.07	2500	50.66	1.43	0.13	52.3	33.6	85
GW922512H	B/S	12	6.0~13.5	0.36	3500	60.25	1.71	0.23	64.7	41.0	87
GW922524H	B/S	24	18.0~26.5	0.21	3500	60.25	1.71	0.23	64.7	41.0	87
GW922548H	B/S	48	36.0~54.0	0.12	3500	60.25	1.71	0.23	64.7	41.0	87
GW922524E	B/S	24	18.0~26.5	0.25	4500	72.8	2.06	0.37	82.2	45.0	88
GW922548E	B/S	48	36.0~54.0	0.15	4500	72.8	2.06	0.37	82.2	45.0	88

Dimensions Drawing



Air Flow & Static Pressure Curve



Above specification is only for reference and subject to change without notice.
 以上数据仅供参考, 如有变更恕不另行通知。