



DC AXIAL FAN

Ø 172x150x51mm

GW17251 Series



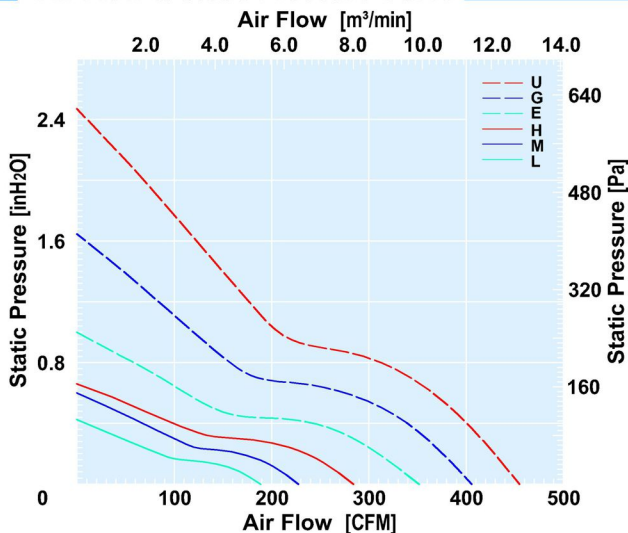
Impeller : 5 blades, made of plastic PBT UL94 V-0
扇叶: 5叶, PBT塑料制, 阻燃等级UL94 V-0

Frame : Made of die-cast aluminum ADC-12
扇框: 压铸铝 ADC-12

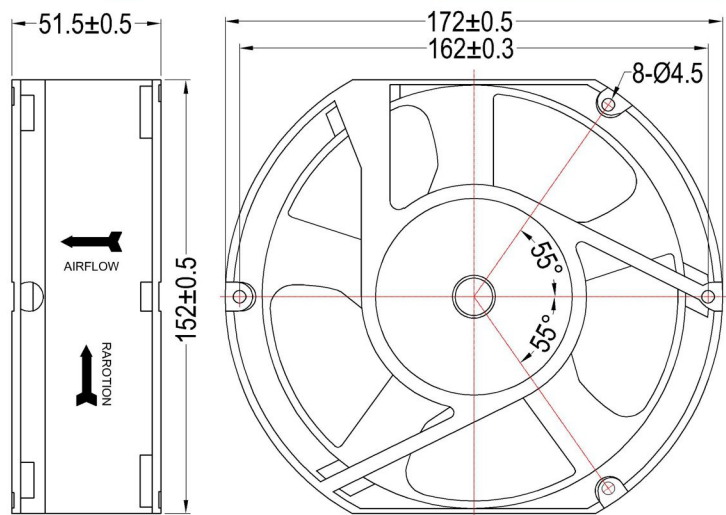
Motor : 8 poles brushless DC motor
电机: 8极无刷直流电机

Model (型号)	Bearing System (轴承)	Rated Voltage (电压) [V]	Voltage Range (电压范围) [V]	Current (电流) [A]	Speed (转速) [RPM]	Maximum Air Flow (风量) [CFM]	Maximum Air Flow (风量) [m³/min]	Max. Static Pressure (静压) [inH ₂ O]	Max. Static Pressure (静压) [Pa]	Niose Level (噪音) [dB-A]	Mass (质量) [g]
GW1725112L	B	12	6.0~13.5	0.84	2500	188.3	5.33	0.427	106.4	50.0	678
GW1725124L	B	24	18.0~26.5	0.34	2500	188.3	5.33	0.427	106.4	50.0	678
GW1725148L	B	48	36.0~54.0	0.20	2500	188.3	5.33	0.427	106.4	50.0	678
GW1725112M	B	12	6.0~13.5	1.50	3000	227.5	6.44	0.60	149.5	55	690
GW1725124M	B	24	18.0~26.5	0.56	3000	227.5	6.44	0.60	149.5	55	690
GW1725148M	B	48	36.0~54.0	0.32	3000	227.5	6.44	0.60	149.5	55	690
GW1725112H	B	12	6.0~13.5	2.00	3500	283.6	8.03	0.758	188.7	60.0	690
GW1725124H	B	24	18.0~26.5	0.90	3500	283.6	8.03	0.758	188.7	60.0	690
GW1725148H	B	48	36.0~54.0	0.54	3500	283.6	8.03	0.758	188.7	60.0	690
GW1725112E	B	12	6.0~13.5	3.75	4500	352.0	9.97	1.0	250	67	692
GW1725124E	B	24	18.0~26.5	1.85	4500	352.0	9.97	1.0	250	67	692
GW1725148E	B	48	36.0~54.0	0.95	4500	352.0	9.97	1.0	250	67	692
GW1725112G	B	12	6.0~13.5	6.30	5500	407.4	11.53	1.65	410.7	71.0	694
GW1725124G	B	24	18.0~26.5	3.10	5500	407.4	11.53	1.65	410.7	71.0	694
GW1725148G	B	48	36.0~54.0	1.56	5500	407.4	11.53	1.65	410.7	71.0	694
GW1725124U	B	24	18.0~26.5	5.32	6500	455.1	12.89	2.47	615.8	83.5	700
GW1725148U	B	48	36.0~54.0	2.62	6500	455.1	12.89	2.47	615.8	83.5	700

Air Flow & Static Pressure Curve



Dimensions Drawing



Above specification is only for reference and subject to change without notice.
以上数据仅供参考, 如有变更恕不另行通知。