

GW17251 DC AXIAL FAN Series

Ø 172x150x51mm

- AUTO
RESTAR
- PWM
- FG
- RD
SIGNAL H
- RD
SIGNAL L

Impeller : 7 blades, made of plastic PBT UL94 V-0
 扇 叶: 7叶, PBT塑料制, 阻燃等级UL94 V-0

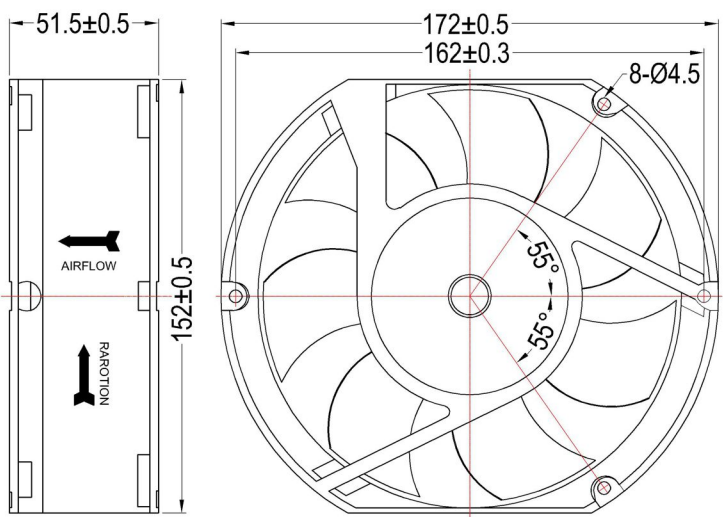
Frame : Made of die-cast aluminum ADC-12
 扇 框: 压铸铝 ADC-12

Motor : 8 poles brushless DC motor
 電 機: 8极无刷直流电机

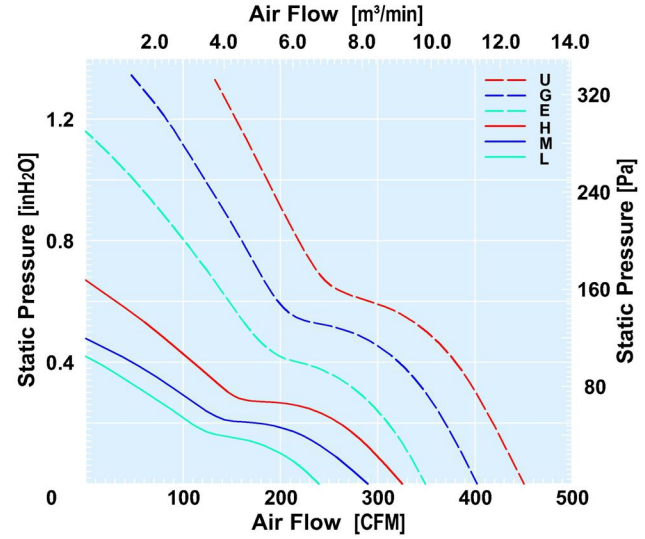


| Model (型号) | Bearing System (轴承) | Rated Voltage (电压) [V] | Voltage Range (电压范围) [V] | Current (电流) [A] | Speed (转速) [RPM] | Maximum Air Flow (风量) [CFM] | Maximum Air Flow (风量) [m³/min] | Max. Static Pressure (静压) [inH2O] | Max. Static Pressure (静压) [Pa] | Noise Level (噪音) [dB-A] | Mass (质量) [g] |
|---------------|------------------------|------------------------------|--------------------------------|------------------------|------------------------|-----------------------------------|--------------------------------------|---|--------------------------------------|-------------------------------|---------------------|
| GW1725112L | B | 12 | 6.0~13.5 | 1.70 | 2500 | 238.8 | 6.77 | 0.42 | 104.7 | 54.5 | 690 |
| GW1725124L | B | 24 | 18.0~26.5 | 0.75 | 2500 | 238.8 | 6.77 | 0.42 | 104.7 | 54.5 | 690 |
| GW1725148L | B | 48 | 36.0~54.0 | 0.40 | 2500 | 238.8 | 6.77 | 0.42 | 104.7 | 54.5 | 690 |
| GW1725112M | B | 12 | 6.0~13.5 | 2.6 | 3000 | 280 | 7.93 | 0.478 | 119 | 59.5 | 694 |
| GW1725124M | B | 24 | 18.0~26.5 | 1.3 | 3000 | 280 | 7.93 | 0.478 | 119 | 59.5 | 694 |
| GW1725148M | B | 48 | 36.0~54.0 | 0.65 | 3000 | 280 | 7.93 | 0.478 | 119 | 59.5 | 694 |
| GW1725112H | B | 12 | 6.0~13.5 | 4.1 | 3500 | 326.2 | 9.25 | 0.675 | 168.1 | 63.2 | 690 |
| GW1725124H | B | 24 | 18.0~26.5 | 2.0 | 3500 | 326.2 | 9.25 | 0.675 | 168.1 | 63.2 | 690 |
| GW1725148H | B | 48 | 36.0~54.0 | 1.1 | 3500 | 326.2 | 9.25 | 0.675 | 168.1 | 63.2 | 690 |
| GW1725112E | B | 12 | 6.0~13.5 | 5.1 | 4000 | 348.3 | 9.86 | 1.16 | 289.2 | 66.8 | 696 |
| GW1725124E | B | 24 | 18.0~26.5 | 2.5 | 4000 | 348.3 | 9.86 | 1.16 | 289.2 | 66.8 | 696 |
| GW1725148E | B | 48 | 36.0~54.0 | 1.25 | 4000 | 348.3 | 9.86 | 1.16 | 289.2 | 66.8 | 696 |
| GW1725112G | B | 12 | 6.0~13.5 | 7.3 | 4500 | 402.3 | 11.4 | 1.43 | 356.8 | 70.0 | 700 |
| GW1725124G | B | 24 | 18.0~26.5 | 3.7 | 4500 | 402.3 | 11.4 | 1.43 | 356.8 | 70.0 | 700 |
| GW1725148G | B | 48 | 36.0~54.0 | 1.82 | 4500 | 402.3 | 11.4 | 1.43 | 356.8 | 70.0 | 700 |
| GW1725124U | B | 24 | 18.0~26.5 | 5.1 | 5000 | 451.6 | 12.80 | 1.7 | 423.3 | 73 | 700 |
| GW1725148U | B | 48 | 36.0~54.0 | 2.5 | 5000 | 451.6 | 12.80 | 1.7 | 423.3 | 73 | 700 |

Dimensions Drawing



Air Flow & Static Pressure Curve



Above specification is only for reference and subject to change without notice.
 以上数据仅供参考, 如有变更恕不另行通知。