

AUTO
RESTAR

PWM

FG

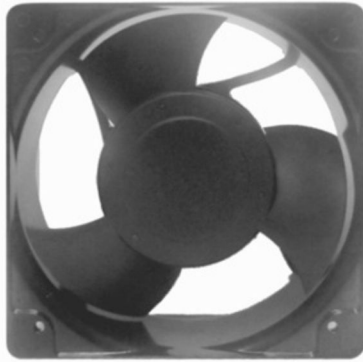
RD
SIGNAL H

RD
SIGNAL L

DC AXIAL FAN

□ 150x150x51 mm

GW15051
Series



Impeller : 3 blades, made of plastic PBT UL94 V-0

扇叶: 3叶, PBT塑料制, 阻燃等级UL94 V-0

Frame : Made of die-cast aluminum ADC-12

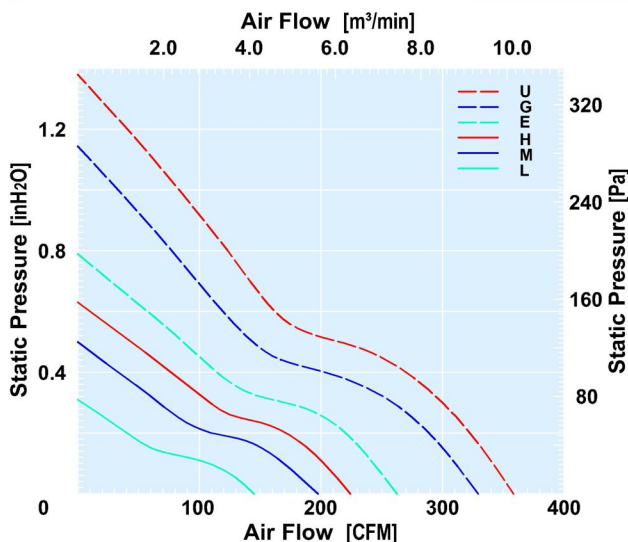
扇框: 压铸铝 ADC-12

Motor : 8 poles brushless DC motor

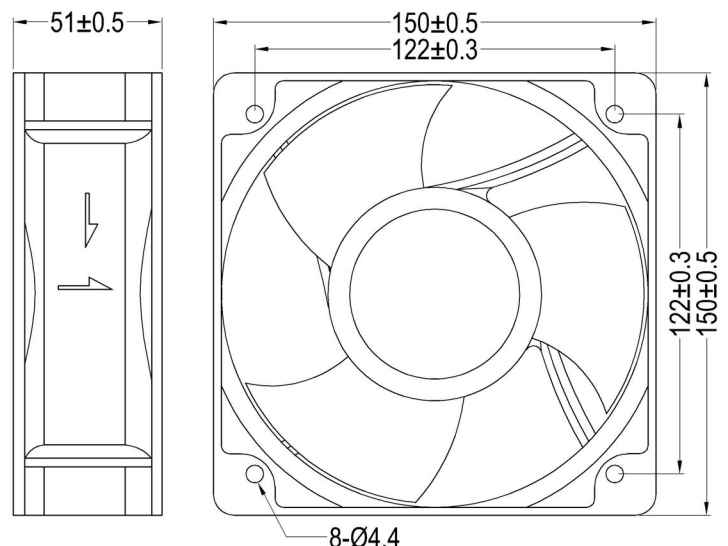
电机: 8极无刷直流电机

| Model (型号) | Bearing System (轴承) | Rated Voltage (电压) [V] | Voltage Range (电压范围) [V] | Current (电流) [A] | Speed (转速) [RPM] | Maximum Air Flow (风量) [CFM] | Maximum Air Flow (风量) [m³/min] | Max. Static Pressure (静压) [inH ₂ O] | Max. Static Pressure (静压) [Pa] | Noise Level (噪音) [dB-A] | Mass (质量) [g] |
|---------------|------------------------|------------------------------|--------------------------------|------------------------|------------------------|-----------------------------------|--------------------------------------|--|--------------------------------------|-------------------------------|---------------------|
| GW1505112L | B | 12 | 6.0~13.5 | 0.41 | 2000 | 145.7 | 4.13 | 0.31 | 77.2 | 46.8 | 685 |
| GW1505124L | B | 24 | 18.0~26.5 | 0.21 | 2000 | 145.7 | 4.13 | 0.31 | 77.2 | 46.8 | 685 |
| GW1505148L | B | 48 | 36.0~54.0 | 0.11 | 2000 | 145.7 | 4.13 | 0.31 | 77.2 | 46.8 | 685 |
| GW1505112M | B | 12 | 6.0~13.5 | 0.80 | 2500 | 196.8 | 5.57 | 0.5 | 124.5 | 50.0 | 690 |
| GW1505124M | B | 24 | 18.0~26.5 | 0.41 | 2500 | 196.8 | 5.57 | 0.5 | 124.5 | 50.0 | 690 |
| GW1505148M | B | 48 | 36.0~54.0 | 0.20 | 2500 | 196.8 | 5.57 | 0.5 | 124.5 | 50.0 | 690 |
| GW1505112H | B | 12 | 6.0~13.5 | 1.22 | 3000 | 224 | 6.34 | 0.63 | 156.9 | 52.9 | 694 |
| GW1505124H | B | 24 | 18.0~26.5 | 0.52 | 3000 | 224 | 6.34 | 0.63 | 156.9 | 52.9 | 694 |
| GW1505148H | B | 48 | 36.0~54.0 | 0.28 | 3000 | 224 | 6.34 | 0.63 | 156.9 | 52.9 | 694 |
| GW1505112E | B | 12 | 6.0~13.5 | 1.90 | 3500 | 263.2 | 7.45 | 0.79 | 197.5 | 56.6 | 675 |
| GW1505124E | B | 24 | 18.0~26.5 | 0.87 | 3500 | 263.2 | 7.45 | 0.79 | 197.5 | 56.6 | 675 |
| GW1505148E | B | 48 | 36.0~54.0 | 0.43 | 3500 | 263.2 | 7.45 | 0.79 | 197.5 | 56.6 | 675 |
| GW1505124G | B | 24 | 18.0~26.5 | 1.30 | 4500 | 328.8 | 9.31 | 1.14 | 284.9 | 63.2 | 678 |
| GW1505148G | B | 48 | 36.0~54.0 | 0.82 | 4500 | 328.8 | 9.31 | 1.14 | 284.9 | 63.2 | 678 |
| GW1505124U | B | 24 | 18.0~26.5 | 2.40 | 5000 | 358.3 | 10.14 | 1.38 | 343.6 | 68.4 | 682 |
| GW1505148U | B | 48 | 36.0~54.0 | 1.25 | 5000 | 358.3 | 10.14 | 1.38 | 343.6 | 68.4 | 682 |

Air Flow & Static Pressure Curve



Dimensions Drawing



Above specification is only for reference and subject to change without notice.

以上数据仅供参考, 如有变更恕不另行通知。