



DC AXIAL FAN

□ 120x120x38 mm

GW12038
增压型
Series



Impeller : 9 blades, made of plastic PBT UL94 V-0

扇叶: 9叶, PBT塑料制, 阻燃等级UL94 V-0

Frame : Made of plastic PBT UL94 V-0

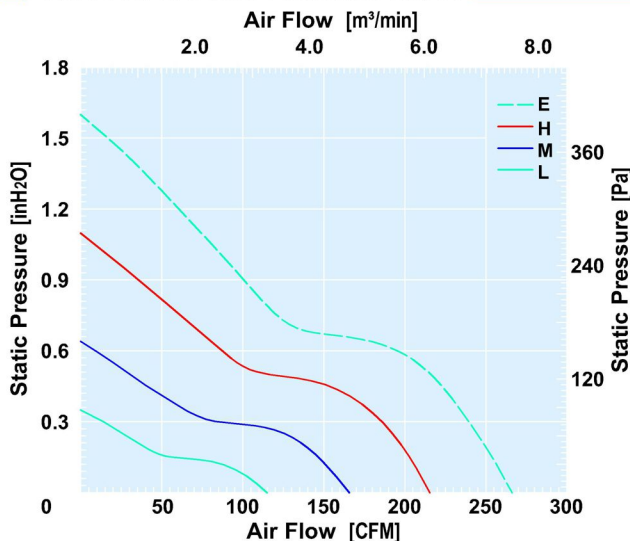
扇框: PBT塑料制, 阻燃等级UL94 V-0

Motor : 4 poles brushless DC motor

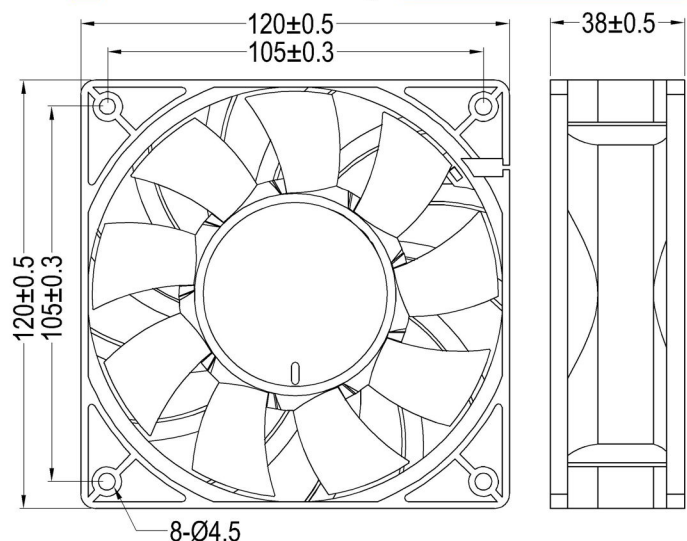
电机: 4极无刷直流电机

Model (型号)	Bearing System (轴承)	Rated Voltage (电压) [V]	Voltage Range (电压范围) [V]	Current (电流) [A]	Speed (转速) [RPM]	Maximum Air Flow (风量) [CFM]	Maximum Air Flow (风量) [m³/min]	Max. Static Pressure (静压) [inH ₂ O]	Max. Static Pressure (静压) [Pa]	Niose Level (噪音) [dB-A]	Mass (质量) [g]
GW1203812L	B/S	12	6.0~13.5	0.64	2500	115.0	3.25	0.35	87.15	38.0	290
GW1203824L	B/S	24	18.0~26.5	0.33	2500	115.0	3.25	0.35	87.15	38.0	290
GW1203848L	B/S	48	36.0~54.0	0.18	2500	115.0	3.25	0.35	87.15	38.0	290
GW1203812M	B/S	12	6.0~13.5	1.11	3500	166.4	4.71	0.64	159.4	46.5	292
GW1203824M	B/S	24	18.0~26.5	0.62	3500	166.4	4.71	0.64	159.4	46.5	292
GW1203848M	B/S	48	36.0~54.0	0.28	3500	166.4	4.71	0.64	159.4	46.5	292
GW1203812H	B/S	12	6.0~13.5	2.57	4500	215.9	6.11	1.10	273.9	63.0	295
GW1203824H	B/S	24	18.0~26.5	1.30	4500	215.9	6.11	1.10	273.9	63.0	295
GW1203848H	B/S	48	36.0~54.0	0.65	4500	215.9	6.11	1.10	273.9	63.0	295
GW1203812E	B/S	12	6.0~13.5	4.22	5500	266.5	7.55	1.60	398.4	68.0	298
GW1203824E	B/S	24	18.0~26.5	2.12	5500	266.5	7.55	1.60	398.4	68.0	298
GW1203848E	B/S	48	36.0~54.0	1.10	5500	266.5	7.55	1.60	398.4	68.0	298

Air Flow & Static Pressure Curve



Dimensions Drawing



Above specification is only for reference and subject to change without notice.

以上数据仅供参考, 如有变更恕不另行通知。